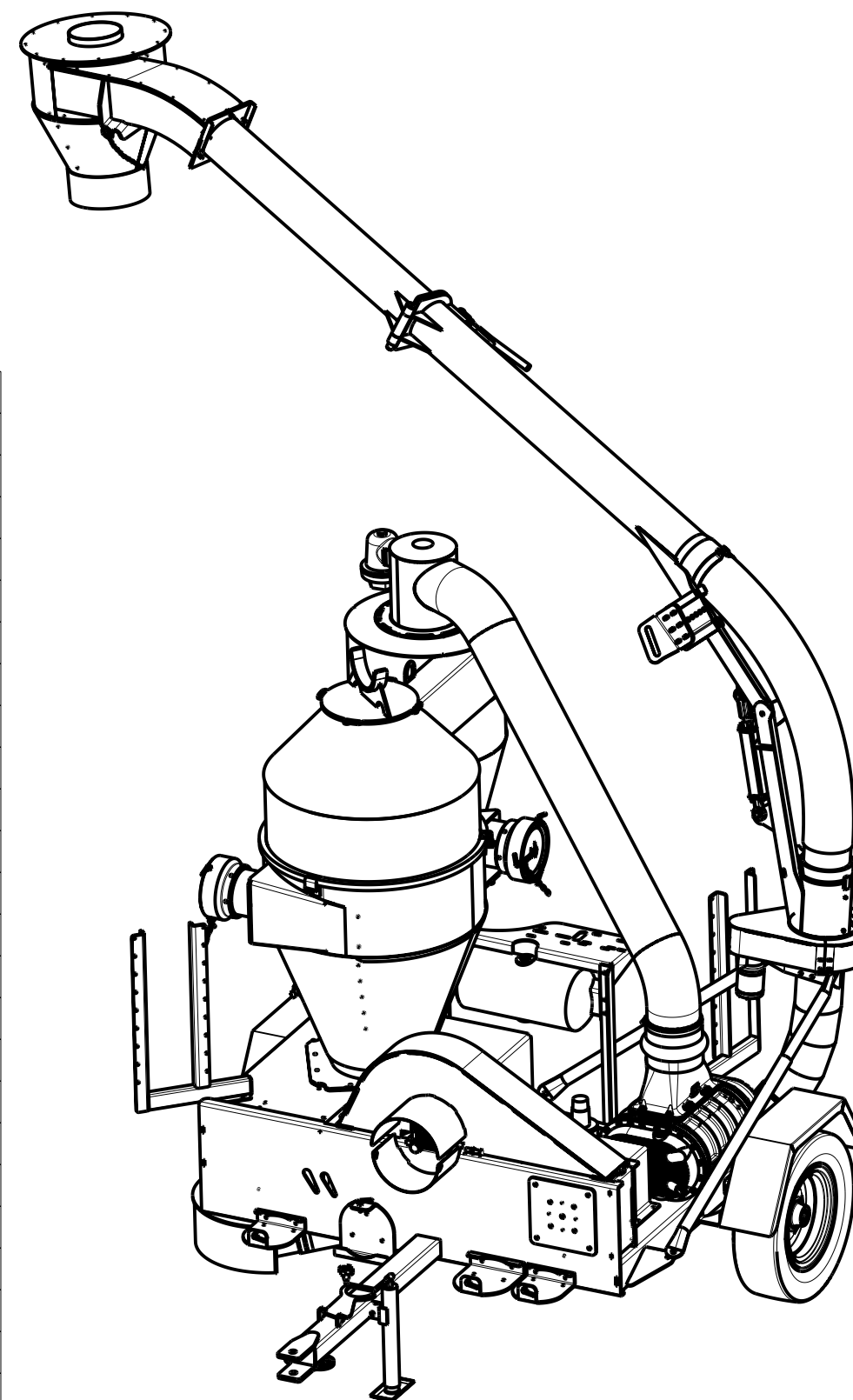


**LIST OF ITEMS**

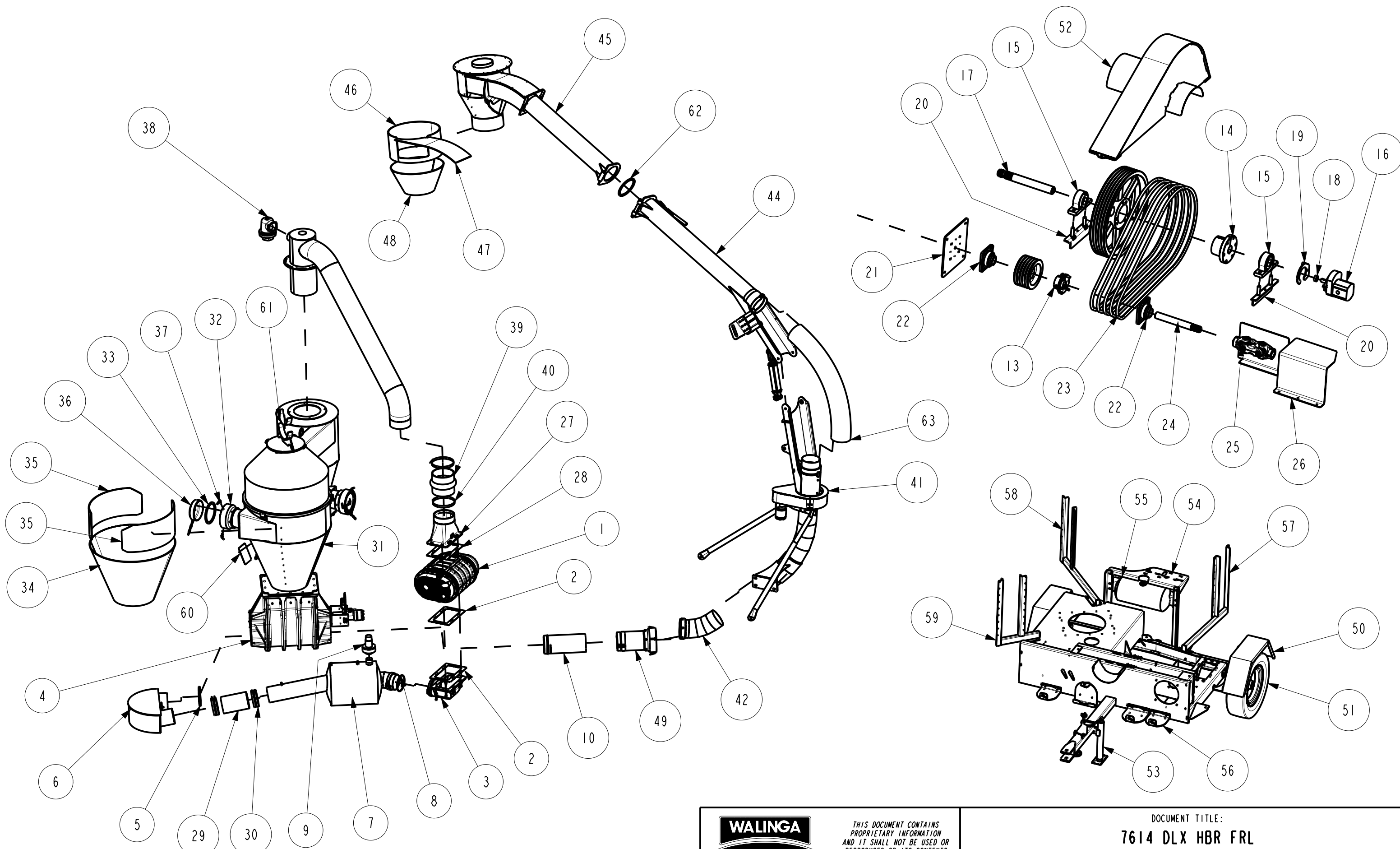
ITEM	NUMBER	DESCRIPTION
1	50-69733-5	BLOWER,614,2.25"
2	96-09117-6	GASKET, BLOWER MOUNT, 614
3	38-29560-4	614-6 BLOWER OUTLET - MACH
4	11-83151-5	A/L INST,2018BT,12"WR,DIRECT
5	96-37629-6	GASKET 10-6-7J
6	11-72776-5	A/L INLET ELBOW ASSY,7614,2011,HD
7	11-81362-5	MUFFLER-6"x16" DIA-2011,7614,HD
8	96-03735-6	O-RING 2-436 N70
9	39-00724-6	PRESSURE RELIEF VALVE,2",15 PSI
10	11-72773-5	A/L OUTLET INST,7614,2011,HD
11	11-16714-6	SHEAVE, 7.1" x 5-5V x SF
12	11-16720-6	SHEAVE, 21.2" x 5-5V x F
13	11-77438-6	BUSHING, SF X 1-1/2 X 3/8 KW
14	11-17602-6	BUSHING, F x 1-3/4" x 3/8"KW
15	96-03623-6	BEARING, PILLOW BLOCK, 1-3/4" DIA
16	11-69296-5	MIDSHIP SHAFT/PUMP ASSY-2010
17	11-69780-6	MIDSHIP SHFT,INT,1-3/4x6B,SCH,14.5L
18	96-19215-6	LOCKING COLLAR ECCENTRIC 3/4"
19	11-36336-4	PUMP BRKT, SCH
20	11-69621-5	FLANGE REINF ASSY-2010
21	11-76429-4	BRG SUPPORT PLT, 66 / 7614, 2011
22	96-04567-6	BEARING, 4BOLT, 1-1/2", Sf 1 1/2
23	11-08550-6	V-BELT, 5VX950
24	11-69786-4	SHAFT,1-1/2,3/8 KEY,1-3/8 21T SPL
25	11-70231-6	DRIVE SHAFT, DOUBLE CENTER, 35EBL
26	11-71116-4	BLOWER DRIVE SHAFT GUARD, TOP
27	11-71023-4	CAST BLOWER INLET,614-8,MACHINED
28	96-09117-6	GASKET, BLOWER MOUNT, 614
29	73-82074-6_010-000	CONNECTION HOSE 6" DIA - 10 LG
30	28-08918-6	T-BOLT CLAMP, 6-1/2",C410C-75-650-S
31	11-71796-5	RCVR ASSY,7614,D1,FRL,W/PC,2011,HD
32	86-17096-6	DF-7 COUPLING CASTING
33	96-17109-6	FLAT RING 8.370x7.125x.250 RUB
34	11-88803-4	LINER,FRUSTUM,FULL,RCVR,7614,HD,11
35	11-75338-4	LINER,BODY,RCVR,7614,D1,2011
36	38-28480-5	DP-7 PLUG WITH CHAIN
37	94-09185-5	TAIL BOLT 1/2-13-1 1/4 SS
38	39-73882-6	VACUUM RELIEF VALVE 3", 16 HG
39	11-82219-6	HUMP HOSE, RUBBER, 8"


40	28-16829-6	T-BOLT CLAMP, 8-1/2",C410C-75-850-S
41	11-71845-5	LOWER BOOM INST,7614,HBR,2011,HD
42	11-36513-5	LOWER BOOM ELBOW ASSY-7"-40 DEG
43	94-02865-6	SOLID RIVET, ALUM, 1/4-5/8
44	11-75304-5	BOOM SWIVEL TOP INST-7614-2011
45	11-75301-5	BOOM END INST-7"-FRL-2011
46	11-75320-4	CYCLONE 7" FRL-LEFT INLET-LINER BODY
47	11-75321-4	CYCLONE 7" FRL-LEFT INLET-LINER TOP
48	11-39927-4	LINER FRUSTRUM BOLTED CYCLONE
49	11-66272-5	ACCELERATION HOSE INST, 7"
50	11-59650-4	FENDER, BOLT-ON
51	11-16687-6	TIRE/RIM ASS'Y P205/70R15, WHITE RIM
52	11-64291-5	BELT COVER ASSY, BOLT-ON
53	11-03632-6	Jack Topwind PLTD 1W5000-13TWPM
54	11-71119-4	HYD TANK MTG BRKT-TOP PLT-2010
55	11-73133-5	HYD TANK INST-SCH-PAINTED-2010
56	11-09219-4	HOLDER FOR DM6
57	38-73678-5	HOSE HOLDER ASSY, REAR
58	38-73887-5	HOSE HOLDER ASSY-CORNER
59	38-73888-5	HOSE HOLDER ASSY-FRT
60	11-03729-6	1/8" CLEAR POLYCARBONATE 5 x 7
61	80-18431-6_012-000	RUBBER 1/4 X 1-1/2 - 12 LG
62	96-17109-6	FLAT RING 8.370x7.125x.250 RUB
63	36-16581-6	FLEX HOSE, SF400 7"x45",COMPRESSED



THIS DOCUMENT CONTAINS PROPRIETARY INFORMATION AND IT SHALL NOT BE USED OR REPRODUCED OR ITS CONTENTS DISCLOSED IN WHOLE OR IN PART WITHOUT THE PRIOR WRITTEN CONSENT OF WALINGA INC.

DOCUMENT TITLE: <b>7614 DLX HBR FRL HD</b>			
DRAWN BY: <b>LMV</b>	DOCUMENT NUMBER: <b>00-91249-0</b>	REVISION:	SHEET NUMBER: <b>1 OF 2</b>
DRAWN DATE: <b>22-MAR-13</b>			



 <b>ENGINEERED TRANSPORTATION EQUIPMENT</b>	DOCUMENT TITLE: <b>7614 DLX HBR FRL</b>		
	DRAWN BY: <b>LMV</b> DRAWN DATE: <b>25-MAR-13</b>	DOCUMENT NUMBER: <b>00-91249-0</b>	SHEET NUMBER: <b>2 OF 2</b>

THIS DOCUMENT CONTAINS PROPRIETARY INFORMATION AND IT SHALL NOT BE USED OR REPRODUCED OR ITS CONTENTS DISCLOSED IN WHOLE OR IN PART WITHOUT THE PRIOR WRITTEN CONSENT OF WALINGA INC.