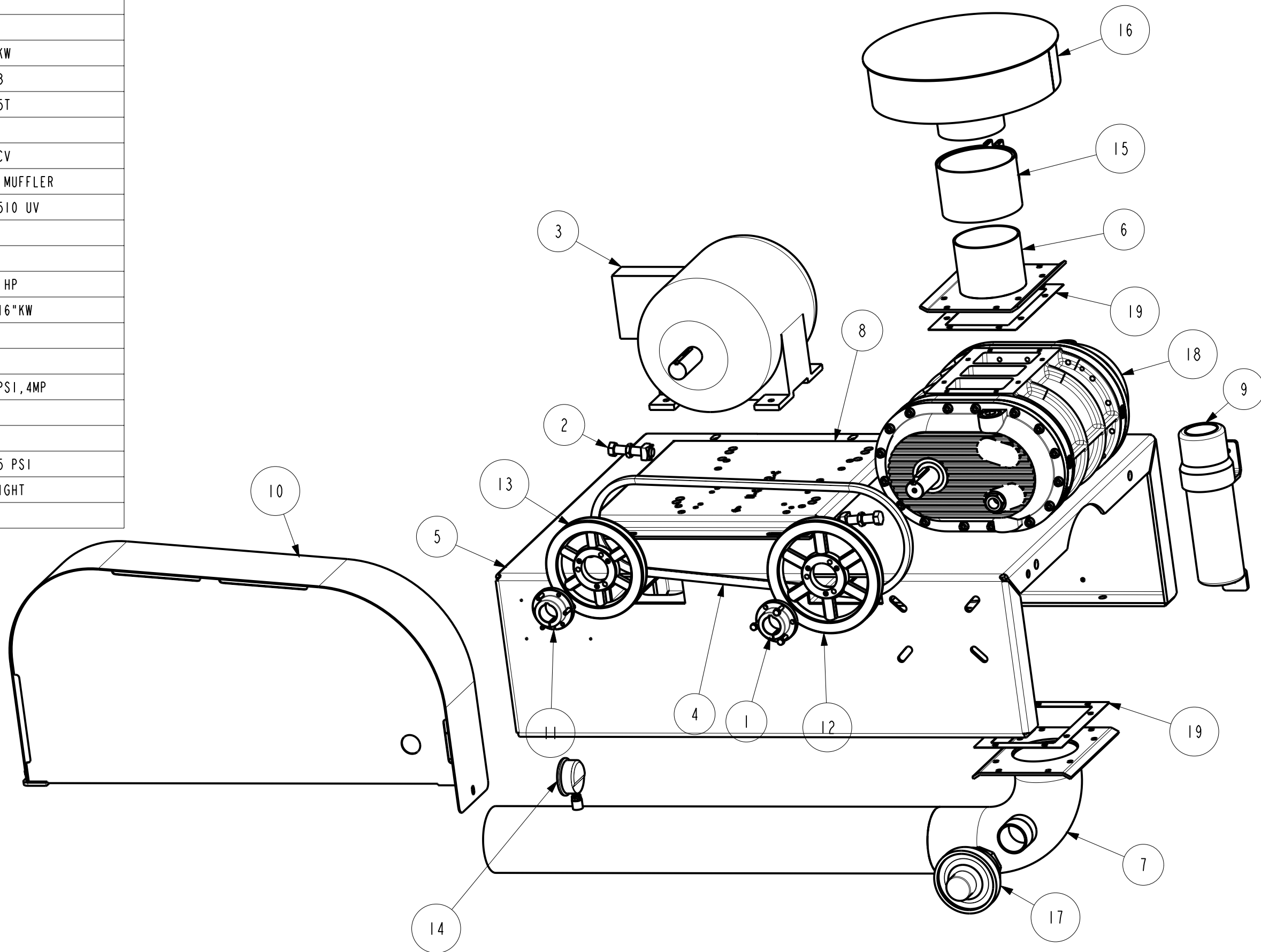



LIST OF ITEMS		
ITEM	NUMBER	DESCRIPTION
1	11-08740-6	BUSHING, SDS 1-3/8" x 3/8"KW
2	11-09248-5	ADJUSTING BOLT ASSY, 5/8 X 3
3	11-14921-6	MOTOR, 10HP, 1750, 460, 3PH, 215T
4	11-19691-6	V-BELT, BX59
5	11-22737-4	BLOWER/MOTOR BASE, 510 UV/CV
6	11-37112-5	BLOWER INLET ASSY, 510, W/O MUFFLER
7	11-37458-5	BLOWER OUTLET W/O MUFFLER, 510 UV
8	11-42002-4	SLIDE RAIL 7 1/2-30 HP
9	11-67390-6	DOCUMENT HOLDER - PLASTIC
10	11-70320-5	BELT COVER ASSY, CV/UV, 7-30 HP
11	11-74771-6	BUSHING, SDS x 1-3/8" x 5/16"KW
12	11-80468-6	SHEAVE, 8.6 x 1-B x SDS
13	11-80784-6	Sheave, 7.4 x 1-B x SDS
14	27-00718-6	PRESS GAUGE, 2-1/2", 0 TO 15PSI, 4MP
15	38-05641-6	COMPRS CPLG, 5", 2 BOLT
16	38-36295-5	BLOWER INLET HAT 5"
17	39-00724-6	PRESSURE RELIEF VALVE, 2", 15 PSI
18	43-46921-5	BLOWER, 510, CHR, 3.25", TIGHT
19	96-00535-6	510 BLOWER GASKET



 ENGINEERED TRANSPORTATION EQUIPMENT	<small>THIS DOCUMENT CONTAINS PROPRIETARY INFORMATION AND IT SHALL NOT BE USED OR REPRODUCED OR ITS CONTENTS DISCLOSED IN WHOLE OR IN PART WITHOUT THE PRIOR WRITTEN CONSENT OF WALINGA INC.</small>	DOCUMENT TITLE: SALES/SERVICE - BLOWER PKG, 510		
		DRAWN BY: RZV DRAWN DATE: 24-APR-12	DOCUMENT NUMBER: 00-85831-0	REVISION: -