



**PARTS
&
ACCESSORIES
CATALOG**

To Our Valued Customers:

The Walinga network of distribution centres and authorized dealers are dedicated to providing worldwide coverage of original parts and accessories for Walinga Conveying Systems.

The products in this catalog reflect Walinga's continued commitment to provide our customers with the highest quality parts as well as service.

On behalf of all of us at Walinga Inc., Thank you for your continued support!

CORPORATE HEAD OFFICE:

5656 Highway 6N
Guelph, Ontario, N1H 6J2
Phone (888) 925-4642 Fax (519) 824-5651
www.walinga.com

PARTS SALES:

Ontario and Eastern Canada:

(888) 925-4642
Jack Lodder (ext: 224) email: jel@walinga.com
Parts Department Fax: (519) 824-0367

Manitoba & Western Canada:

70 3rd Ave. N.E. Box 1790 Carman, Manitoba Canada R0G 0J0
Phone: (800) 668-6344 Fax (204) 745-6309

PARTS SALES: Wayne Weidenhammer
(800) 668-6344 email: waw@walinga.com

220 Frontage Rd. Davidson, Saskatchewan Canada S0G 1A0
Tel: (866) 665-3031 Fax: (306) 567-3039

PARTS SALES: Peter Fehr
(866) 665-3031 email: peterfehr@walinga.com

WALINGA USA:

HEAD OFFICE

1190 Electric Ave. Wayland, Michigan, USA 49348
Tel (800) 466-1197 Fax (616) 877-3474

PARTS SALES:

John VanMiddlekoop
(800) 466-1197 (ext 3) email: jvm@walinga.com

579 4th Street NW, Sioux Center, Iowa USA 51250
(800) 845-5589

PARTS SALES:

Mark Franken
(800) 845-5589 email: siouxcenter@walinga.com

PNEUMATIC CONVEYING SYSTEMS PARTS AND ACCESSORIES CATALOG
#34-05232-6 v3.13.09 PS/2C

TABLE OF CONTENTS:

1.0 AIRLOCKS	5
1.1 MODEL 1210DT ASSEMBLY VIEW CHART 3510G, 3510E, 35103PH	5
1.2 MODEL 1314 ASSEMBLY VIEW CHART 4" 410, 4510 & 5" 508, 510, 5510, 5614	6
1.3 MODEL 1618 ASSEMBLY VIEW CHART 6" 610, 614, 6614 & 7" 714 & 7614 Pre 2012	7
1.4 MODEL 2018 ASSEMBLY VIEW CHART 7614 Post 2012	8
1.5 AIRLOCKS, New And Rebuilt	9
1.6 AIRLOCKS, Parts and Accessories	10
1.7 AIRLOCKS, Hydraulic Motors, Brackets	11
1.8 AIRLOCKS, Mufflers, Checkvalves	12
1.9 AIRLOCKS, Wiper Blades, RPM Indicator	13
2.0 BLOWER	14
2.1 510, 614 EXPLODED ASSEMBLY VIEW	14
2.1.1 BLOWER 510 EXPLODED ASSEMBLY VIEW CHART	15
2.1.2 BLOWER 614 EXPLODED ASSEMBLY VIEW CHART	16
2.2 BLOWERS, New And Rebuilt	17
2.3 BLOWERS, Parts & Accessories	18
2.3 BLOWERS, Parts & Accessories Continued	19
3.0 DELIVERY LINES & ACCESSORIES	21
3.1 HOSES	21
3.2 DELIVERY LINES & ACCESSORIES, Hose Ends, Elbows	22
3.3 DELIVERY LINES & ACCESSORIES, Elbows	23
3.4 DELIVERY LINES & ACCESSORIES, Hoses With Couplers	24
3.5 DELIVERY LINES & ACCESSORIES, Sweeps, Nozzles	25
3.6 DELIVERY LINES & ACCESSORIES, Nozzles, Handles, Hose Hopper, Hose Trolley	26
3.7 DELIVERY LINES & ACCESSORIES, Airslides, Sweep Heads	27



3.8 DELIVERY LINES & ACCESSORIES, Daffin Couplers	28
3.8 DELIVERY LINES & ACCESSORIES, Daffin Couplers Continued	29
3.9 DELIVERY LINES & ACCESSORIES, Gaskets, O-Rings, Quick-On Couplers	30
3.10 DELIVERY LINES & ACCESSORIES, Compression Couplers, Camlock Couplers	31
3.10 DELIVERY LINES & ACCESSORIES, Camlock Couplers Continued	32
3.11 DELIVERY LINES & ACCESSORIES, Camlock Couplers Plugs, Gaskets	33
3.12 DELIVERY LINES & ACCESSORIES, Miscellaneous Couplers, Spraymotor, Wade	34
3.13 DELIVERY LINES & ACCESSORIES, Cyclones Continued	36
4.0 TUBING, BIN NOZZLES	37
5.0 ADAPTORS, REDUCERS	38
6.0 HYDRAULICS	39
6.1 Control Valves	39
6.2 HYDRAULICS, Boom Jacks, Ball Valve	40
6.3 HYDRAULICS, Filters	41
7.0 DRIVE LINE COMPONENTS	42
7.1 PTO Shafts	42
7.2 DRIVE LINE COMPONENTS, Accessories for old style Eurogenti	43
7.3 DRIVE LINE COMPONENTS, Sheaves	44
7.4 DRIVE LINE COMPONENTS, Bushings , Bearings	45
7.5 DRIVE LINE COMPONENTS, Belts	46
8.0 CLAMPS	47
9.0 MISCELLANEOUS PARTS, ACCESSORIES	49
10.0 TANK LINERS, RHINO	53
11.0 CYCLONE RHINO, PLASTIC & STEEL LINERS	54



1.0 AIRLOCKS

1.1 1210DT ASSEMBLY VIEW CHART 3510G, 3510E, 35103PH

NO	PART #	DESCRIPTION	QTY
1	30-17982-6	Snap Ring	2
2	30-49167-4	Casing	1
3	30-49168-4	Endplate	2
4	30-75952-4	Rotor Assembly	1
5	30-75955-4	Tip Wiper, Poly	8
6	30-75957-4	Tip Clamp	8
7	94-05284-6	5/16" X 1" GR 8 Bolt	32
8	96-17935-6	Sealed Bearing	2
9	96-82432-6	Seal	4

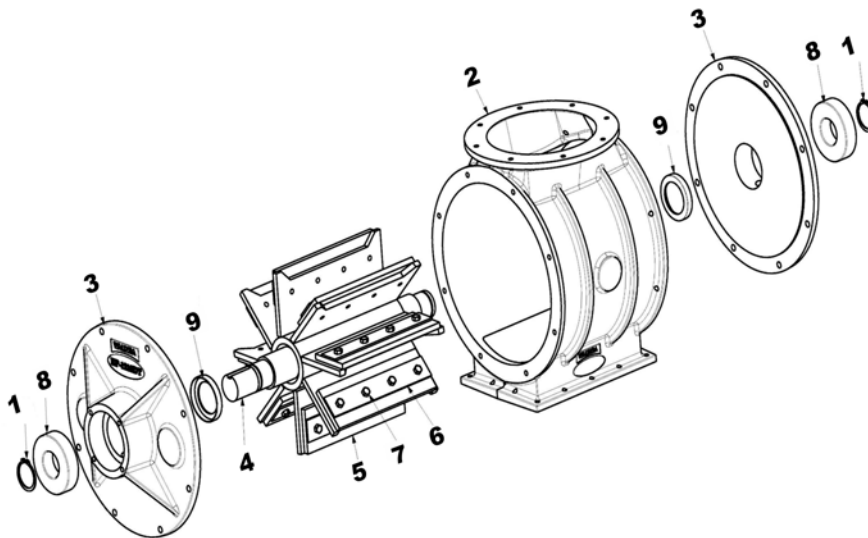


Fig 1.1 1210DT Exploded View



1.2 MODEL 1314 ASSEMBLY VIEW CHART

4" 410, 4510 & 5" 508,510,5510,5614

#	PART #	DESCRIPTION	QTY	#	PART #	DESCRIPTION	QTY
1	94-04290-6	3/8"X1¼" GR 8 Bolt	4	15	94-04241-6	Lock Washer	4
2	30-04531-5	Seal Plate W/ Seal	1	16	94-05341-6	Nuts	4
3	96-01026-6	Seal	1	17	96-03146-6	Chevron Gasket (4")	2
4	94-00339-6	1-3/8" Locknut	2	18	96-05978-6	Chevron Gasket (5")	2
5	96-01034-6	Bearing Cone	2	19	30-08619-4	Endplate (5")	2
6	96-01032-6	Bearing Cup	2	20	30-09021-4	Endplate	2
7	96-01013-6	O-Ring	2	21	94-04255-6	5/16"X1" GR 8 Bolt	16
8	30-07993-4	5/16" Shaft Key	1	22	96-02027-6	Urethane Seal	2
9	96-00890-6	Seal (Main Seal)	2	23	30-01831-5	Rotor Assembly	1
10	30-09024-6	Machined Casing (4")	1	24	30-65702-4	Hardox Steel Tip	10
11	30-07979-4	Casing	1	25	94-13003-6	Spring Washer	50
12	30-20471-6	Tip Wiper	1	26	94-08478-6	5/16" Cap Screw	50
13	30-36866-6	Washer Plate	1	27	30-09035-4	Dust Plate	50
14	94-05286-6	5/16"X1¼ GR 8 Bolt	4	28	94-05284-6	3/8"X 1" GR 8 Bolt	50

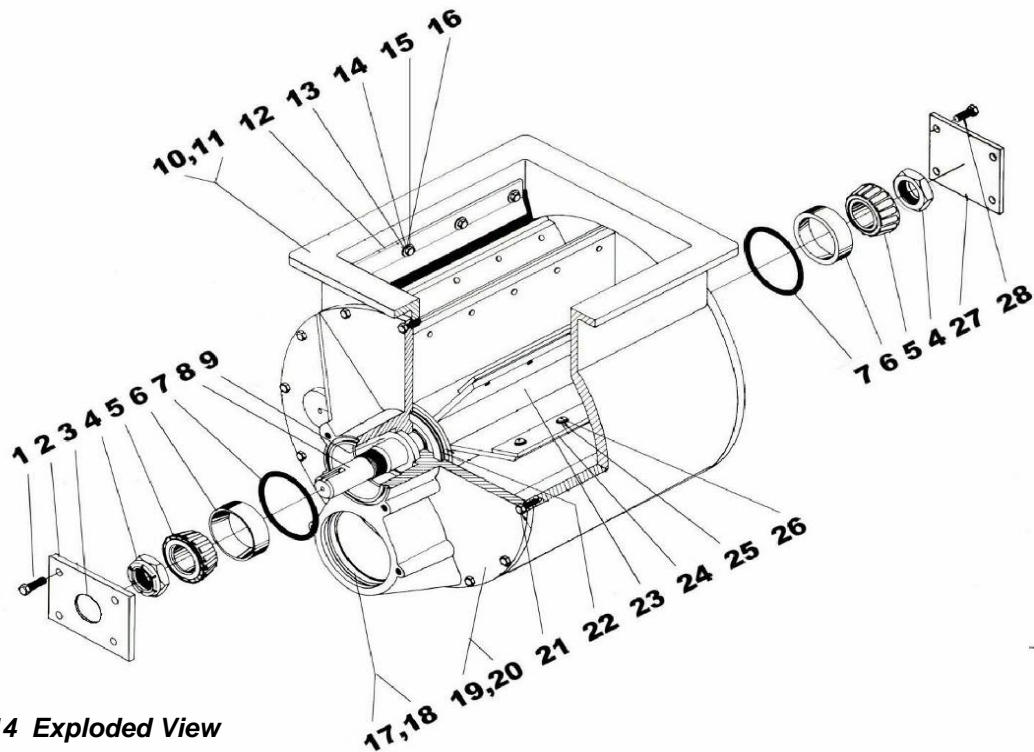


Fig. 1.2 1314 Exploded View



1.3 MODEL 1618 ASSEMBLY VIEW CHART

6" 610,614,6614 & 7" 714 & 7614 Pre 2012

#	PART #	DESCRIPTION	QTY
1	94-04290-6	3/8"X1¼" GR 8 Bolt	4
2	30-05108-5	Seal Plate W/Seal	1
3	96-05815-6	Seal	1
4	94-05110-6	1-1/2" Locknut	2
5	96-05097-6	Bearing Cone 3876	2
6	96-01032-6	Bearing Cup 3820	2
7	96-01013-6	O-Ring	2
8	30-07993-4	5/16" Shaft Key	1
9	96-05776-6	Seal (Main Seal)	2
10	30-09027-6	Machined Casing	1
12	30-20472-6	Tip Wiper	1
13	30-36796-4	Washer Plate	1
14	94-05286-6	5/16" X1¼" GR 8 Bolt	4
15	94-04241-6	Lock Washer	4

#	PART #	DESCRIPTION	QTY	
16	94-05341-6	Nut	4	
17	96-08491-6	Chevron Gasket (6")	2	
19	30-09023-4	6" Endplate	6" Unit	2
			7" Unit	1
20	30-28336-4	7" Endplate	1	
21	94-04255-6	5/16"X1" GR 8 Bolt	22	
22	96-02027-6	Urethane Seal	2	
23	30-09017-5	Rotor Assembly	1	
24	30-62788-4	Hardox Steel Tip	10	
25	94-13003-6	Spring Washer	60	
26	94-08781-6	5/16"x5/8" Cap Screw	60	
27	30-09035-4	Dust Plate	1	
28	94-05284-6	3/8"X1" GR 8 Bolt	4	

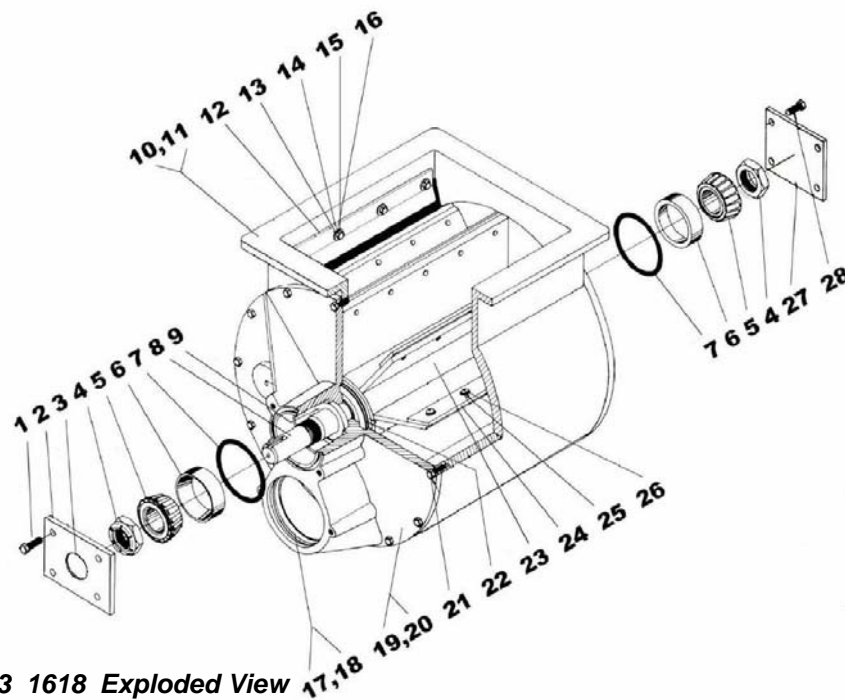


Fig. 1.3 1618 Exploded View



1.4 MODEL 2018 ASSEMBLY VIEW CHART

7614 Post 2012

NO	PART #	DESCRIPTION	QTY
1	30-62788-4	Hardox Steel Tip	10
2	30-77778-5	Rotor, SS, Machined	1
3	30-77780-4	Machined Casing	1
4	30-77781-4	Wiper Blade	1
5	30-77785-4	Washer Plate, Tip Wiper Support	1
6	30-77786-4	Endplate, Outlet	1
7	30-77794-4	Cover Plate	1
8	30-78290-4	Endplate, Inlet	1
9	30-84179-4	Locking Nut	2
10	30-84659-4	Cover Plate	1

NO	PART #	DESCRIPTION	QTY
11	94-05286-6	5/16 x 1 1/4 GR 8 Bolt	29
12	94-05317-6	3/8 x 1 GR 8 Bolt	8
13	94-08781-6	5/16 X 5/8 Cap Screw	60
14	94-13003-6	Spring Washer	65
15	96-02027-6	V-Seal	2
16	96-77793-6	O-Ring	2
17	96-77795-6	Bearing Cone	2
18	96-77798-6	Seal	1
19	96-77799-6	Main Seal	2
20	96-90009-4	Bearing Cup	2

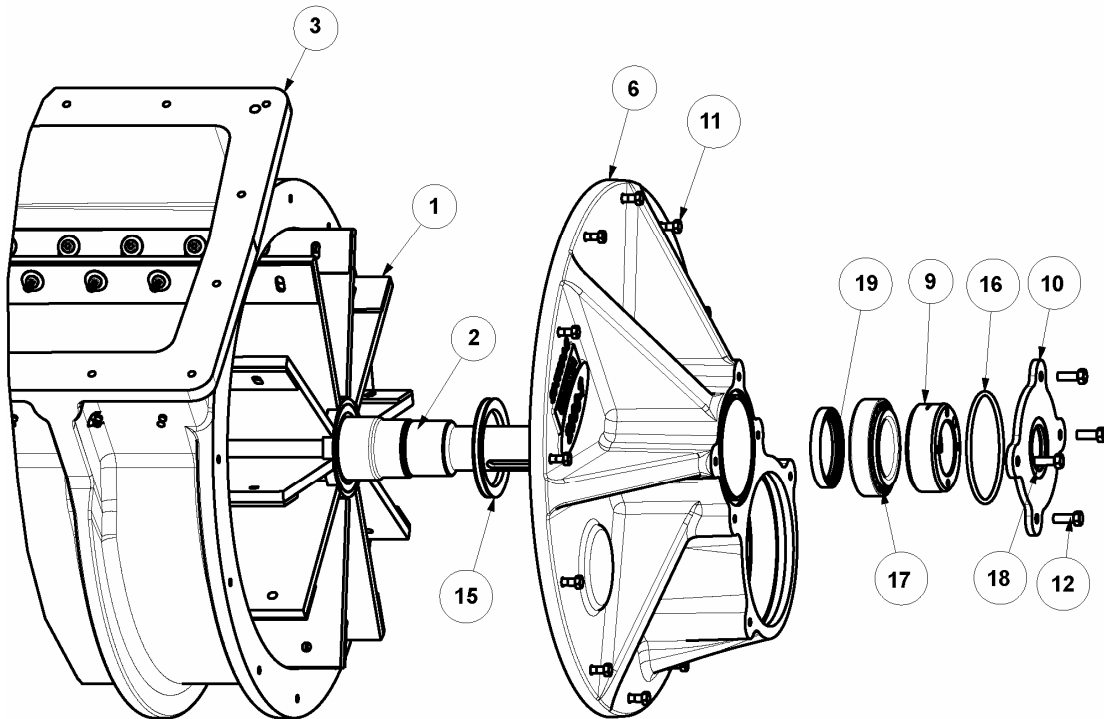


Fig. 1.4 2018 Exploded View



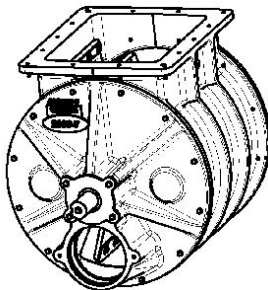
1.5 AIRLOCKS, New And Rebuilt

NEW AIRLOCKS WITHOUT MOTORS



A/L Drop-Thru

PART #	DESCRIPTION	USED ON
30-46350-5	1210-4A -Rubber	310 , 4506, 3510
PART #	DESCRIPTION	USED ON
30-75951-5	1210-DT Drop-Thru Rubber	Post- 2011 3510
30-75342-5	1210-DT Drop-Thru Rubber Chromed	Special
30-69000-5	1210-DT Drop-Thru	Special
30-37902-5	1314-4 Chromed	Special
30-04108-5	1314-4	410,4510
30-42028-5	1314-DT Drop-Thru	Special
30-68178-5	1314-DT Drop-Thru Chromed	Special
30-40673-5	1314-5	508,510, 5510,5614
30-36330-5	1314-5 Chromed	Special
30-37900-5	1618-6	Special
30-09005-5	1618-6	610 , 614, 6614
30-36335-5	1618-7 Chromed	Special
30-28887-5	1618-7	714 , 7614
30-47432-5	1618-DT Drop-Thru	Special
30-52629-5	1618-DT Drop-Thru Chromed	Special
30-77779-5	2018-7	Post 2012 7614



A/L Blow-Thru

REBUILT AIRLOCKS WITHOUT MOTORS

PART #	DESCRIPTION	USED ON
30-47420-5	1210-4A Rubber	310,4506, 3510
30-71883-5	1210-DT Drop-Thru Rubber	Post-2011 3510
30-21184-5	1314-4A Hardox	410 , 4510
30-24024-5	1314-5A Hardox	508 , 510 , 5510 , 5614
30-23128-5	1618-6A Hardox	610 , 614 , 6614
30-37747-5	1618-7A Hardox	714 , 7614



1.6 AIRLOCKS, Parts and Accessories



PART #	DESCRIPTION	USED ON
97-36578-5	Splined Coupling 1.25"key - 1" 6B	4510, 5510, 5614, Without Self-Contained Hydraulics
97-36580-5	Splined Coupling 1.375"Key – 1.5" 14T	614, 6614, 714, 7614 Without Self-Contained Hydraulics
97-36583-5	Splined Coupling 1.375 Key - 1" 6B	614, 6614, 714, 7614



PART #	DESCRIPTION	USED ON
97-80550-6	Sprocket 50B60 -1.75"	Post 2011 3510
97-13051-6	Sprocket 50B10 -1 (Jack Shaft)	Post 2011 3510
97-16574-6	Sprocket 50B60 – 1.25 (Airlock)	310,3510,4506
11-18160-6	Sheave 14.0 x 1B -1	Post 2011 3510



PART #	DESCRIPTION	USED ON
11-68157-6	V-Belt, BX100	Post 2011 3510
97-18349-6	#50 Chain 45" Long With Connecting Link (Airlock)	Post 2011 3510
97-01079-6	#50 Chain 36" Long (Airlock)	310,3510,4506
97-01075-6	#50 Chain Connecting Link (Airlock)	310,3510,4506
97-17281-6	#50 Chain (Half Link Airlock)	310,3510,4506



PART #	DESCRIPTION	USED ON
62-07194-6	RS Series Seal Kit	Square Hydraulic Motor All Self- Contained Hydraulics 410,506,508, 510,610,4510 5510,5614
62-08604-6	RE Series Seal Kit	Round Hydraulic Motor 614,614F,614 614DF,614, 7614



1.7 AIRLOCKS, Hydraulic Motors, Brackets

RS SERIES



PART #	DESCRIPTION	USED ON
62-13438-6	RS 12 Keyed Hydraulic Motor	All Self Contained Machines
62-08923-6	RS 24 Splined Hydraulic Motor	410, 506, 508,510, 610,4510, 5510,5614
62-00732-6	RS 24 (4 Bolt Keyway) Hydraulic Motor	Early 510 Models

RE SERIES



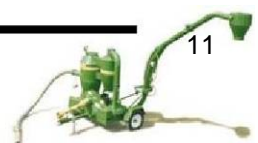
PART #	DESCRIPTION	USED ON
62-08493-6	RE 32 (2 Bolt Keyway) Hydraulic Motor	Early 614 Models
62-08995-6	RE 32 Splined Hydraulic Motor	614, 614F, 614I,614DF, 614D, 6614, 7614



PART #	DESCRIPTION	USED ON
30-04530-4	Motor Mounting Bracket RS Series	Square Body Motors
30-07766-4	Motor Mounting Bracket RE Series	Round Body Motors

WR SERIES

PART #	DESCRIPTION	USED ON
62-68811-6	WR 255, 4 Hole, Square Mount 16B Spline	5614,6614, 7614
62-75736-6	WR 255, 4 Hole, Square Mount 16B Spline	5614,6614, 7614 w/HBR
11-55323-6	Motor Mounting Bracket (two pieces)	Post 2011



1.8 AIRLOCKS, Mufflers, Checkvalves



PART #	DESCRIPTION	USED ON
11-29826-5	Muffler Check Valve Assembly	510
11-21509-5	Muffler Check Valve Assembly	5510
11-36340-5	Muffler Check Valve Assembly	Pre 2006 5614
11-29828-5	Muffler Check Valve Assembly	Pre 2006 6614, 7614
51-48789-5	Muffler Check Valve Assembly	5614
51-46333-5	Muffler Check Valve Assembly	6614, 7614
51-69297-5	Muffler Check Valve Assembly	Post 2011, 6614,7614
11-52794-6	Muffler Kit	3510



PART #	DESCRIPTION	USED ON
11-09114-5	5" Check Valve Assembly Old Style	508 DLX 510 DLX
11-09807-5	5" Check Valve Assembly With 6" Outlet	614F



PART #	DESCRIPTION	USED ON
11-38213-5	6" Check Valve Assembly Straight	5510
11-36614-5	5" Check Valve Assembly Straight	5614
11-27960-5	6" Check Valve Assembly Straight	6614,7614



PART #	DESCRIPTION	USED ON
11-29789-5	5" Check Valve Assembly	510, 5510
11-29947-5	6" Check Valve Assembly	614,714, 6614, 7614
11-49028-5	5" Check Valve Assembly	5614
11-48051-5	6" Check Valve Assembly	6614, 7614



1.9 AIRLOCKS, Wiper Blades, RPM Indicator



PART #	DESCRIPTION	USED ON
30-20471-4	Tip Wiper 13¼ "	4" & 5" Machines
30-20472-4	Tip Wiper 17¼"	6" & 7" Machines



PART #	DESCRIPTION	USED ON
73-00588-6	4" Rubber Connecting Hose	310,3510, 4506,410,4510
73-08092-6	5" Rubber Connecting Hose	506,508,510, 610,614F, 614DLX
73-08881-6	6" Rubber Connecting Hose	5510,5614,6614, 7614, 614DLX 2006 to 2010 22 inch long
		6614,7614 Post 2011 10 inch long
73-17643-6	7" Rubber Connecting Hose	6614 Pre 2006
73-16794-6	8" Rubber Connecting Hose	714 ,7614 Pre 2006



PART #	DESCRIPTION	USED ON
11-36973-4	RPM Indicator	All Airlocks

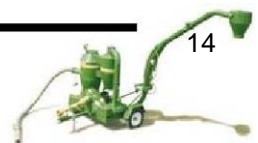
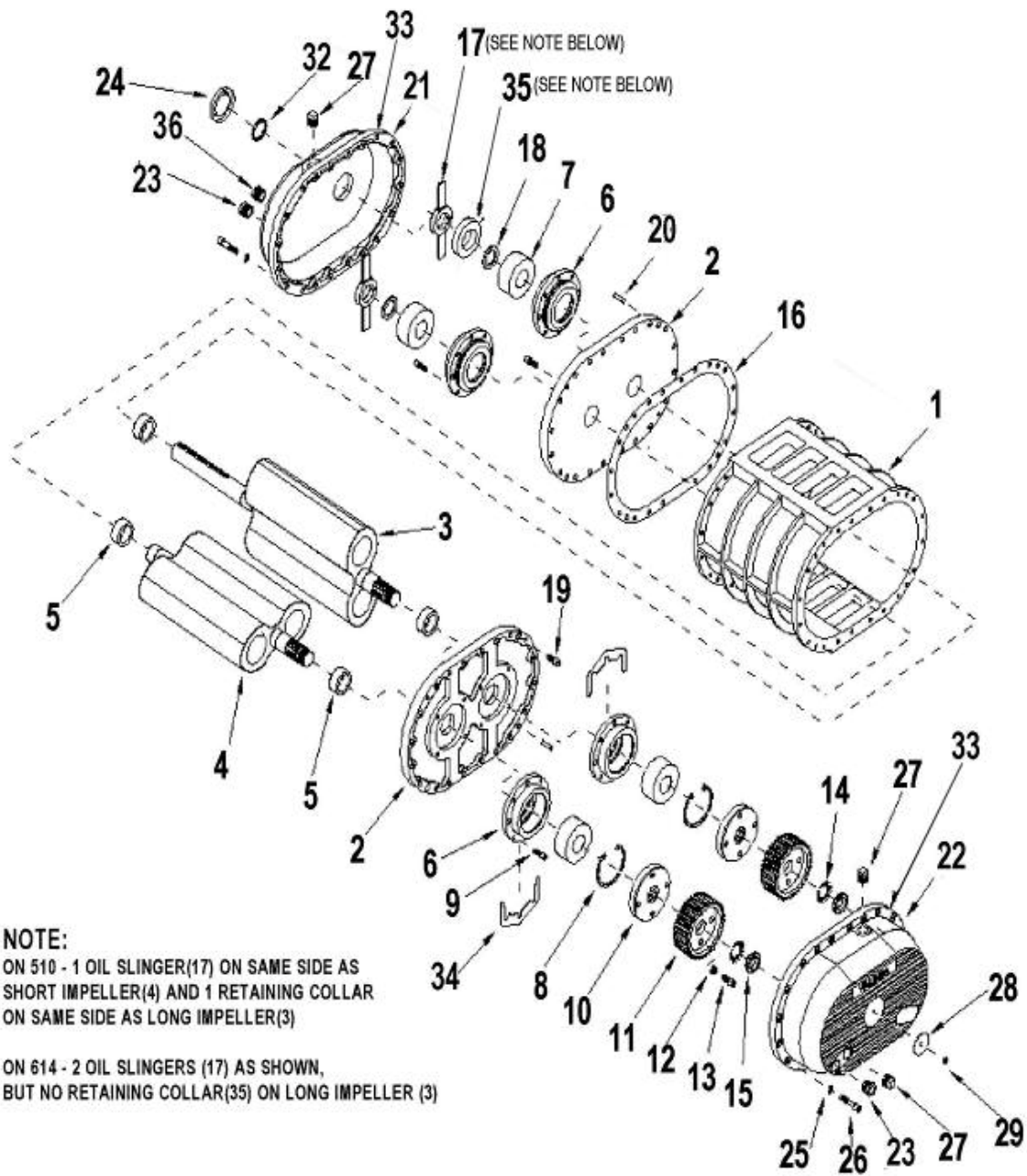


PART #	DESCRIPTION	USED ON
96-13967-6	RPM Indicator Belt	All Airlocks



2.0 BLOWER

2.1 510,614 EXPLODED ASSEMBLY VIEW



2.1.1 BLOWER 510 Exploded Assembly View Chart

NO	PART #	DESCRIPTION	QTY
1	43-09858-4	Casing Machined Chromed	1
2	43-09772-5	Head Plate Assembly Chromed	2
3a	43-13222-5	Impeller Assembly 25" Shaft Chromed With Sleeves (Agri-Vac Only)	1
3b	43-09860-5	Impeller Assembly 21-1/8" Shaft Chromed With Sleeves (Agri-Vac/Truck)	1
4	43-13221-5	Impeller Assembly 17" Shaft Chromed With Sleeves (Truck/3510)	1
5	43-00146-6	Shaft Sleeve	4
6	96-04828-6	O-Ring	4
	96-15492-6	Seal AVT	4
	43-09949-4	Bearing Cartridge	4
7	96-00158-6	Main Bearing 3307	4
8	43-15982-6	Retaining Ring	2
9	94-00176-6	Cap Screw 5/16" X 1"	16
10	43-13628-4	Timing Hub	2
11	43-13000-6	Timing Gear Set	1
12	94-00171-6	Timing Washer	8
13	94-00180-6	Cap Screw 3/8" -16 1/4"	8
14	94-00140-6	N-06 Lock Washer	2
15	94-00139-6	N-06 Lock Nut	2
16	96-07281-6	Spacer Gasket Paper .006"x 36" - cut from 100yrd roll (not as shown)	
	96-07282-6	Spacer Gasket Paper .10"x 40"	
17	43-04571-5	Oil Slinger	1
18	94-01244-6	Spacer	2
19	94-00179-6	Cap Screw 5/16" X 1"	4
20	94-00170-6	Dowel Pin 5/16" X 1 1/4"	4
21	43-09932-4	Drive Cover	1
22	43-09933-4	Gear Cover	1
23	50-13327-6	Sight Window	2
24	96-00162-6	Input Seal CR 13649	1
25	94-07268-6	Cover Washer	32
26	94-14069-6	Cap Screw 3/8" X 2 1/4"	32
27	58-01170-6	Fill Plugs	3
28	53-04617-6	Serial Plate	1
29	94-14179-6	Self Tapping Screws #10-32 1/2"	1
30	98-13813-6	Walinga Super Duty Blower Oil	
31	94-07268-6	Cover Washer	32
32	96-04822-6	O-Ring 2-222 N-70	1
33	96-02149-6	Oil Cover Gasket	2
34	43-03264-6	Shim 510 .002 "	
	43-03263-6	Shim 510 .003 "	
	43-03262-6	Shim 510 .004 "	
	43-03261-6	Shim 510 .006 "	
	43-03260-6	Shim 510 .010 "	
	43-03259-6	Shim 510 .015 "	
35	43-13540-6	Retaining Collar	



2.1.2 BLOWER 614 Exploded Assembly View Chart

NO	PART #	DESCRIPTION	QTY
1	50-09194-4	Casing Machined Chromed	1
2	50-09193-5	Head Plate Assembly Chromed	2
3	50-07201-5	Impeller Assembly 30" Shaft Chromed	1
4	50-07202-5	Impeller Assembly 21½" Shaft Chromed	1
5	50-07221-4	Shaft Sleeve	4
6	96-04981-6	O-Ring	4
	96-16325-6	Seal AVT	4
7	50-49663-4	Bearing Cartridge	4
	50-81591-6	Spacer Plate (for above Bearing Cartridge)	4
	96-19942-6	Ball Bearing	2
	96-07195-6	Roller Bearing	2
8	50-07212-6	Retaining Ring	2
9	94-08494-6	Cap Screw 3/8" X1"	16
10	50-07200-4	Timing Hub	2
11	50-07198-6	Timing Gear Set	1
12	94-07267-6	Timing Washer	8
13	94-07213-6	Cap Screw ½" x 1½"	8
14	94-07207-6	N-07 Lock Washer	2
15	94-07206-6	N-07 Lock Nut	2
16	96-07281-6	Spacer Gasket Paper .006" x 36 "	
	96-07282-6	Spacer Gasket Paper .10"x 40"	
17	50-07203-5	Oil Slinger	1
18	50-07805-4	Spacer	2
19	94-08494-6	Cap Screw 3/8" X 1"	4
20	94-00170-6	Dowel Pin 5/16" X 1¼"	4
21	50-09195-4	Drive Cover	1
22	50-09196-4	Gear Cover	1
23	50-13327-6	Sight Window	2
24	96-07197-6	Input Seal	1
25	94-07268-6	Cover Washer	32
26	94-14069-6	Cap Screw 3/8" X 2¼"	32
27	58-01170-6	Fill Plugs	3
28	53-07205-6	Serial Plate	1
29	94-14179-6	Self Tapping Screws #10-32½"	1
30	98-13813-6	Walinga Super Duty Blower Oil	
31	94-07268-6	Cover Washer	32
32	96-04824-6	O-Ring 2-222 N-70	1
33	96-18679-6	Oil Cover Gasket	2
34	43-03264-6	Shim 614 .002"	
	43-03263-6	Shim 614 .003"	
	43-03260-6	Shim 614 .010"	
	43-03259-6	Shim 614 .015"	
36	58-13838-6	Plug Black ¼" NPT, 5/8" Hex Head	1



2.2 BLOWERS New And Rebuilt

NEW BLOWERS

PART #	DESCRIPTION	USED ON
43-20299-5	Blower Assembly 506 Chromed	310, 506, 4506
43-09877-5	Blower Assembly 510 Chromed 3¼"	3510
43-13164-5	Blower Assembly 510 Chromed 7¼"	410, 510, 5510, 610
50-07777-5	Blower Assembly 614 Chromed 7½"	5614, 6614, 7614
50-69733-5	Blower Assembly 614 Chromed	Post 2011 6614, 7614



REBUILT BLOWERS

PART #	DESCRIPTION	USED ON
43-28844-5	Rebuilt Blower Assembly 506 Chromed	506, 4506
43-20216-5	Rebuilt Blower Assembly 510 Chromed 3¼"	310, 3510
43-20217-5	Rebuilt Blower Assembly 510 Chromed 7¼"	410, 510, 5510, 610
50-20222-5	Rebuilt Blower Assembly 614 Chromed 7½"	5614, 6614, 7614 Direct Drive Diesels
50-84658-5	Rebuilt Blower Assembly 614 Chromed 2¼"	Post 2011 6614,7614



2.3 BLOWERS Parts & Accessories



PART #	DESCRIPTION	USED ON
96-09183-6	Blower Mounting Gasket	310,506, 4506
96-00535-6	Blower Mounting Gasket	410,510,610, 3510,4510, 5510
96-09117-6	Blower Mounting Gasket	614, 714, 5614, 6614, 7614



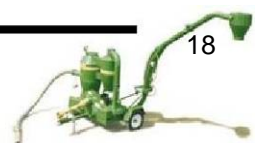
PART #	DESCRIPTION	USED ON
96-02149-6	Oil Cover Gasket	310,506,4506, 410,510,610, 4510,5510
96-18679-6	Oil Cover Gasket	614,714,5614, 6614,7614



PART #	DESCRIPTION	USED ON
11-29648-5	Lower Boom Elbow Assembly 4"	410 ,4510
11-21427-5	Lower Boom Elbow Assembly 5"	508S , 510S
36-07315-5	Lower Boom Elbow Assembly 5"	508DLX,510DLX
11-36207-5	Lower Boom Elbow Assembly 5"	5510,5614
11-21495-5	Lower Boom Elbow Assembly 6"	610, 614
36-09768-5	Lower Boom Elbow Assembly 6"	614F, 614DF
11-49013-5	Lower Boom Elbow Assembly 6"	6614
11-29738-5	Lower Boom Elbow Assembly 7"	714
11-36513-5	Lower Boom Elbow Assembly 7"	7614



PART #	DESCRIPTION	USED ON
11-03848-6	1¾" X 14½" Midship Shaft	506, 410, 3510-PH,4510, 508, 510,5510, 5614,610
11-09577-6	2" X 14½" Midship Shaft	614F, 614, 5614- 540PTO 6614,714,7614
11-75646-6	1¾" x 14½" Midship Shaft	Post 2011 6614,7614, 8614 TDH



2.3 BLOWERS, Parts & Accessories Continued



PART #	DESCRIPTION	USED ON
11-44348-5	Acceleration Hose with DF5	5 inch
11-44337-5	Acceleration Hose with DF6	6 inch
11-44349-5	Acceleration Hose with DF7	7 inch



PART #	DESCRIPTION	USED ON
11-29596-5	Midship Shaft & Pump	4510 SCH, 540 PTO Only
11-36502-5	Midship Shaft & Pump	5510 SCH, 5614 SCH
11-37911-5	Midship Shaft & Pump	5614 SCH 540 PTO
11-39486-5	Midship Shaft & Pump	6614 SCH 540 PTO
11-36761-5	Midship Shaft & Pump	6614 SCH 7614 SCH
11-70231-6	Blower Yoke Double Center	Post 2011 6614,7614
11-69296-4	Midship Shaft & Pump	Post 2011 6614,7614



PART #	DESCRIPTION	USED ON
39-00724-6	Pressure Relief Valve	5,6,7" Machines



PART #	DESCRIPTION	USED ON
39-00725-6	Vacuum Relief Valve	
39-77609-6	Vacuum Relief Valve 2"	Post 2011 5614
39-73882-6	Vacuum Relief Valve 3"	Post 2011 6614, 7614



PART #	DESCRIPTION	USED ON
39-14001-6	Blower Vent	All Blowers



2.3 BLOWERS, Parts & Accessories Continued



PART #	DESCRIPTION	USED ON
40-03983-5	Blower Vent Assembly	All Blowers



PART #	DESCRIPTION	USED ON
27-00718-6	0-30 Pressure Gauge	Diesel Units (Optional On PTO)



PART #	DESCRIPTION	USED ON
27-13066-6	30-0 HG Vacuum Gauge	Diesel Units (Optional On PTO)



3.0 DELIVERY LINES & ACCESSORIES

3.1 Hoses



PART #	DESCRIPTION	USED ON
36-22410-6	4" X 47" SS Boomflex	410,4510
36-15537-6	5" X 43" SS Boomflex	510,5510,5614
36-15539-6	6" X 47.5" SS Boomflex	614 ,6614
36-16581-6	7" X 47.5" SS Boomflex	714 ,7614
36-17479-6	7" X 66" SS Boomflex	714 Lower Boom
36-15931-6	8" X 76" SS Boomflex	8614



PART #	DESCRIPTION	USED ON
36-01254-6	4" X 48' Galvanized Flex Hose	4" Machines
36-02862-6	5" X 48' Galvanized Flex Hose	5" Machines
36-15906-6	5" X 12' Galvanized Flex Hose	5" Machines
36-08597-6	6" X 48' Galvanized Flex Hose	6" Machines
36-15907-6	6" X 12' Galvanized Flex Hose	6" Machines
36-17626-6	7" X 48' Galvanized Flex Hose	7" Machines
36-14905-6	4" X 48' SS Flex Hose	4" Machines
36-13202-5	5" X 12' SS Flex Hose	5" Machines
36-15843-6	5" X 48' SS Flex Hose	5" Machines
36 13203-6	6" X12' SS Flex Hose	6" Machines
36-15844-6	6" X 48' SS Flex Hose	6" Machines
36-16583-6	7" X 12' SS Flex Hose	7" Machines
36-16584-6	7" X 48' SS Flex Hose	7" Machines
36-82417-7	8" x 12' SS Flex Hose	8" Machines



PART #	DESCRIPTION
36-15194-6	3" X 100' Rubber Hose
36-13214-6	4" X 12' Rubber Hose
36-16025-6	4" X 50' Rubber Hose
36-13215-6	5" X 12' Rubber Hose
36-15620-6	5" X 50' Rubber Hose
36-13656-6	6" X 14' Rubber Hose
36-15621-6	6" X 56' Rubber Hose
36-17580-6	7" X 14' Rubber Hose
36-17586-6	7" X 50' Rubber Hose



PART #	Description
36-73804-6	4"X12' VHD (Heavy-Duty) Hose
36-73803-6	5"X12' VHD (Heavy-Duty) Hose
36-73801-6	6"X12' VHD (Heavy-Duty) Hose
36-78433-6	7"X25' VHD (Heavy-Duty) Hose



3.2 DELIVERY LINES & ACCESSORIES, Hose Ends, Elbows



PART #	DESCRIPTION	USED ON
38-09089-5	Hose End 45° W/DF4	4" Rubber Hose
38-09205-5	Hose End 45° W/DF5	5" Rubber Hose
38-20450-5	Hose End 45° W/DF6	6" Rubber Hose



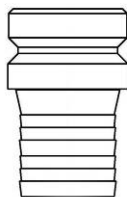
PART #	DESCRIPTION	USED ON
38-09087-5	Hose End W/DM4 (steel)	4" Rubber Hose
38-28022-5	Hose End W/DM4 (aluminum)	4" Rubber Hose
38-09141-5	Hose End W/DM5 (aluminum)	5" Rubber Hose
38-09146-5	Hose End W/DM6 (aluminum)	6" Rubber Hose
38-36197-5	Hose End W/DM7 (aluminum)	7" Rubber Hose



PART #	DESCRIPTION	USED ON
38-09088-5	Hose End W/DF4 (steel)	4" Rubber Hose
38-28021-5	Hose End W/DF4 (aluminum)	4" Rubber Hose
38-09142-5	Hose End W/DF5 (aluminum)	5" Rubber Hose
38-09147-5	Hose End W/DF6 (aluminum)	6" Rubber Hose
38-36196-5	Hose End W/DF7 (aluminum)	7" Rubber Hose



PART #	DESCRIPTION	USED ON
38-59805-5	DF4 Swivel Coupling W/Hose Shank	4" VHD Hose
38-59800-5	DF5 Swivel Coupling W/Hose Shank	5" VHD Hose
38-59803-5	DF6 Swivel Coupling W/Hose Shank	6" VHD Hose
38-74372-5	DF7 Swivel Coupling W/Hose Shank	7" VHD Hose



PART #	DESCRIPTION	USED ON
38-74368-5	DM4 Swivel Coupling W/Hose Shank	4" VHD Hose
38-71799-5	DM5 Swivel Coupling W/Hose Shank	5" VHD Hose
38-66841-5	DM6 Swivel Coupling W/Hose Shank	6" VHD Hose



PART #	DESCRIPTION	USED ON
38-67879-5	Hose End, 45° Elbow W/DF4, Swivel	
38-60560-5	Hose End, 45° Elbow W/DF5, Swivel	
38-67884-6	Hose End, 45° Elbow W/DF6, Swivel	

3.3 DELIVERY LINES & ACCESSORIES, Elbows



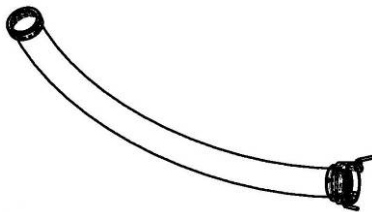
PART #	DESCRIPTION	USED ON *
51-01245-6	4"X90° Elbow 8" CLR	4"
51-03809-6	5"X90° Elbow 12½" CLR	5"
51-07765-6	6"X90° Elbow 15" CLR	6"
51-01246-6	4"X45° Elbow 8" CLR	4"



PART #	DESCRIPTION	USED ON*
51-20440-4	4"X90° Elbow 36" CLR painted green	4"
51-20402-4	5"X90° Elbow 48" CLR painted green	5"
51-20441-4	6"X90° Elbow 48" CLR painted green	6"



PART #	DESCRIPTION	USED ON*
38-27125-5	4"X90° Elbow WDC	4"
38-27126-5	5"X90° Elbow WDC	5"
38-27127-5	6"X90° Elbow WDC	6"



PART #	DESCRIPTION	USED ON*
38-42638-5	4"X90° Elbow 36" CLR WDC painted green	4"
38-42639-5	5"X90° Elbow 48" CLR WDC painted green	5"
38-43206-5	6"X90° Elbow 48" CLR WDC painted green	6"

PART #	DESCRIPTION	USED ON*
11-75788-5	4"x90° Elbow 36" CLR Rhino	4"
11-76195-5	6"x90° Elbow 48" CLR Rhino	6"
11-79216-5	7"x45° Elbow 48" CLR Rhino	7"
11-78633-5	7"x90° Elbow 48" CLR Rhino	7"

* Conveying System Size



3.4 DELIVERY LINES & ACCESSORIES, Hoses With Couplers



PART #	DESCRIPTION	USED ON
36-09696-5	4"X12' SS Flex WDC	3510
36-09916-5	5"X12' SS Flex WDC	5614
36-09707-5	6"X12' SS Flex WDC	6614
36-28838-5	7"X12' SS Flex WDC	7614
36-63932-6	8"X12' SS Flex WKC	8614
36-26344-5	4"X12' Galv Flex WDC	3510
36-05498-5	5"X12' Galv Flex WDC	5614
36-07889-5	6"X12' Galv Flex WDC	6614
36-38690-5	7"X12' Galv Flex WDC	7614
36-14639-5	412 RB Hose WDC	3510
36-14638-5	512 RB Hose WDC	5614
36-20449-5	614 RB Hose WDC	6614



PART #	DESCRIPTION	USED ON
36-24330-5	412 RB Hose W/DM4 & DF4 X 45° Elbow	3510 With 4" Cleanup
36-14637-5	412 RB Hose W/DM5 & DF4 X 45° Elbow	5614 With 4" Cleanup
36-27097-5	512 RB Hose W/DM5 & DF4 x 45° Elbow	
36-14636-5	512 RB Hose W/DM6 & DF5 X 45° Elbow	
36-28380-5	614 RB Hose W/DM6 & DF6 X 45° Elbow	

PART #	DESCRIPTION	USED ON
36-73674-5	512 VHD Hose With DM5 Swivel & DF5	5614 With 5"Cleanup
36-73673-5	612 VHD Hose With DM6 Swivel & DF6	6614 & 7614 with 6"Cleanup
36-85684-5	712 VHD Hose With DM7 & DF7	6614 & 7614 with 7" Cleanup



3.5 DELIVERY LINES & ACCESSORIES, Sweeps, Nozzles

PART #	DESCRIPTION	USED ON
38-37825-5	3" Nozzle With Aluminum Sweep	3510



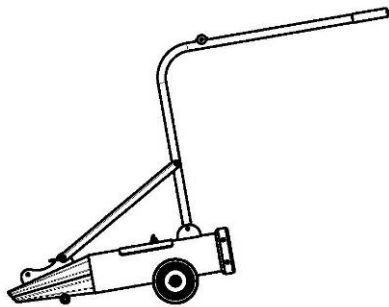
38-21899-5	4" Nozzle with Sweep	3510
38-53470-5	5" Nozzle with Sweep	5614
38-28539-5	6" Nozzle with Sweep	6614,7614



PART #	DESCRIPTION	USED ON
38-21915-5	4" Replacement Nozzle with Hardware	3510
38-21917-5	5" Replacement Nozzle with Hardware	5614
38-28536-5	6" Replacement Nozzle with Hardware	6614,7614



PART #	DESCRIPTION	USED ON
38-21894-4	Plastic Sleeve 4" Dia.	4" Nozzles
38-28535-4	Plastic Sleeve 6" Dia.	6" Nozzles



PART #	DESCRIPTION	USED ON
38-72206-5	Push Sweep 5" x 13" c/w Wheels	5" cleanup
38-71362-5	Push Sweep 6" x 14"W c/w Wheels	6" cleanup
38-85386-5	Push Sweep 7" x 16"W c/w Wheels	7" cleanup



3.6 DELIVERY LINES & ACCESSORIES, Nozzles, Handles, Hose Hopper, Hose Trolley



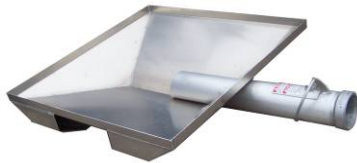
PART #	DESCRIPTION	USED ON
38-37815-5	Suction Nozzle 20 ° 3"X37"	3" Machines
38-03737-5	Suction Nozzle 20 ° 4"X34"	4" Machines
38-07996-5	Suction Nozzle 20 ° 5"X34"	5" Machines
38-07858-5	Suction Nozzle 20 ° 6"X40"	6" Machines
38-28542-5	Suction Nozzle 20 ° 7"X40"	7" Machines
38-76706-5	Suction Nozzle 20 ° 8"X40"	8" Machines



PART #	DESCRIPTION	USED ON
38-09955-6	Hose Handle	All Cleanup Hoses



PART #	DESCRIPTION	USED ON
36-81614-5	Hose Trolley	All Hoses



PART #	DESCRIPTION	USED ON
11-43658-5	Hopper 48"x48" with DM4	4" Hoses
11-29589-5	Hopper 48"x48" with DM5	5" Hoses
11-29590-5	Hopper 48"x48" with DM6	6" Hoses
11-36107-5	Hopper 48"x48" with DM7	7" Hoses



3.7 DELIVERY LINES & ACCESSORIES, Airslides, Sweep Heads



PART #	DESCRIPTION	USED ON
38-04048-4	Airslide Cover 4"	4" Nozzles
38-24374-4	Airslide Cover 5"	5" Nozzles
38-24376-4	Airslide Cover 6"	6" Nozzles
38-28544-4	Airslide Cover 7"	7" Nozzles



PART #	DESCRIPTION	USED ON
53-80781-6	3 In One Decal	All Airslide Covers



PART #	DESCRIPTION	USED ON
38-21898-5	Sweep Head Assembly 4"	4" Nozzles
38-53471-5	Sweep Head Assembly 5"	5" Nozzles
38-28538-5	Sweep Head Assembly 6"	6" Nozzles

11-04522-6	2-1/4 Nylon Wheels	Sweep Head Assemblies
------------	--------------------	-----------------------



3.8 DELIVERY LINES & ACCESSORIES, Daffin Couplers



PART #	DESCRIPTION	USED ON
38-36926-5	DF4 - Hose	4" Metal Flex Hose
38-36927-5	DF5 - Hose	5" Metal Flex Hose
38-36928-5	DF6 - Hose	6" Metal Flex Hose
38-36933-5	DF7 - Hose	7" Metal Flex Hose
38-36929-5	DF4 - Weld	4" Aluminum Tube
38-36930-5	DF5 - Weld	5" Aluminum Tube
38-36931-5	DF6 - Weld	6" Aluminum Tube
38-36934-5	DF7 - Weld	7" Aluminum Tube



PART #	DESCRIPTION	USED ON
38-36781-5	DF4 - Tube	4" Solid Tube
38-36287-5	DF5 - Tube	5" Solid Tube
38-36299-5	DF6 - Tube	6" Solid Tube
38-36171-5	DF7 - Tube	7" Solid Tube



PART #	DESCRIPTION	USED ON
38-36935-5	DF5S - Hose	5" Metal Hose



PART #	DESCRIPTION	USED ON
38-09926-5	DM5S - Hose	5" Metal Flex Hose

3.8 DELIVERY LINES & ACCESSORIES, Daffin Couplers Continued



PART #	DESCRIPTION	USED ON
38-07959-4	DM4 - Hose	4" Metal Flex Hose
38-07962-4	DM5 - Hose	5" Metal Flex Hose
38-09598-4	DM6 - Hose	6" Metal Flex Hose
38-28464-4	DM7 - Hose	7" Metal Flex Hose

38-29578-4	DM4 - Weld	4" Aluminum Tube
38-29579-4	DM5 - Weld	5" Aluminum Tube
38-29580-4	DM6 - Weld	6" Aluminum Tube
38-29043-4	DM7 - Weld	7" Aluminum Tube

PART #	DESCRIPTION	USED ON
38-74369-5	DM4 -Tube, Swivel	4" Tube



PART #	DESCRIPTION	USED ON
38-00397-5	DM4 - Tube	4" Tube
38-03755-5	DM5 - Tube	5" Tube
38-07798-5	DM6 - Tube	6" Tube
38-28462-4	DM7 - Tube	7" Tube



PART #	DESCRIPTION	USED ON
38-04465-5	DP4 - Plug with Chain	DF4
38-04466-5	DP5 - Plug with Chain	DF5
38-07796-5	DP6 - Plug with Chain	DF6
38-28480-5	DP7 - Plug with Chain	DF7



PART #	DESCRIPTION	USED ON
94-09185-5	Tailbolt	All DF Female Daffin Couplings



3.9 DELIVERY LINES & ACCESSORIES, Gaskets, O-Rings, Quick-On Couplers



PART #	DESCRIPTION	USED ON
96-13344-6	Flat Gasket 5-3/8" Diameter	DF4
96-13281-6	Flat Gasket 6-3/8" Diameter	DF5
96-13067-6	Flat Gasket 7-3/8" Diameter	DF6
96-17109-6	Flat Gasket 8-3/8" Diameter	DF7



PART #	DESCRIPTION	USED ON
96-01013-6	4" Diameter O-Ring	DM4,DF4/Tube
96-03852-6	5" Diameter O-Ring	DM5,DF5/Tube
96-08521-6	6" Diameter O-Ring	DM6,DF6/Tube

QUICK ON COUPLERS



PART #	DESCRIPTION	USED ON
38-18223-6	4" Quick-On Coupler SS	4 " Tube
38-14647-6	5" Quick-On Coupler SS	5 " Tube
38-14648-6	6" Quick-On Coupler SS	6 " Tube
38-17305-6	7" Quick-On Coupler SS	7 " Tube



PART #	DESCRIPTION	USED ON
38-15553-6	5" Replacement Gum	5" Quick-On
38-15552-6	6" Replacement Gum	6" Quick-On
38-18199-6	7" Replacement Gum	7" Quick-On

3.10 DELIVERY LINES & ACCESSORIES

Compression Couplers, Camlock Couplers

COMPRESSION COUPLERS



PART #	DESCRIPTION	USED ON
38-00633-6	4" Compression Coupler 2 Bolt	4" Tube
38-13084-6	4" Compression Coupler 3 Bolt	4" Tube
38-05641-6	5" Compression Coupler 2 Bolt	5" Tube
38-08786-6	5" Compression Coupler 3 Bolt	5" Tube
38-08787-6	5" Compression Coupler 4 Bolt	5" Tube
38-08523-6	6" Compression Coupler 3 Bolt	6" Tube
38-08785-6	6" Compression Coupler 4 Bolt	6" Tube
38-08848-6	7" Compression Coupler 4 Bolt	7" Tube
38-15932-6	8" Compression Coupler 4 Bolt	8" Tube



PART #	DESCRIPTION	USED ON (compression coupler)
38-08730-6	4" - 2 Bolt Replacement Rubber	4", 2 Bolt
38-13615-6	4" - 3 Bolt Replacement Rubber	4", 3 Bolt
38-08969-6	5" - 2 Bolt Replacement Rubber	5", 2 Bolt
38-08970-6	5" - 3 Bolt Replacement Rubber	5", 3 Bolt
38-08731-6	5" - 4 Bolt Replacement Rubber	5", 4 Bolt
38-08732-6	6" - 3 Bolt Replacement Rubber	6", 4 Bolt
38-13522-6	6" - 4 Bolt Replacement Rubber	6", 4 Bolt

CAMLOCK COUPLINGS



PART #	DESCRIPTION	USED ON
38-29804-4	KF4 Hose	4" Metal Flex
38-27886-4	KF5 Hose	5" Metal Flex
38-27585-4	KF6 Hose	6" Metal Flex

38-15917-6	KF4 Weldable	4" Alum Tube
38-15919-6	KF5 Weldable	5" Alum Tube
38-15921-6	KF6 Weldable	6" Alum Tube
38-63929-4	KF8 Weldable	8" Alum Tube

38-29651-4	KF4 Tube	4" Tube
38-27884-4	KF5 Tube	5" Tube
38-27583-4	KF6 Tube	6" Tube



3.10 DELIVERY LINES & ACCESSORIES, Camlock Couplers Continued



PART #	DESCRIPTION	USED ON
38-13207-6	KF3 W/NPT	3" Threaded Pipe
38-00576-6	KF4 W/NPT	4" Threaded Pipe
38-08804-6	KF5 W/NPT	5" Threaded Pipe
38-08534-6	KF6 W/NPT	6" Threaded Pipe



PART #	DESCRIPTION	USED ON
38-13999-6	KF3 W/ Hose Shank	3" Rubber Hose
38-13645-6	KF4 W/Hose Shank	4" Rubber Hose
38-18661-6	KF5 W/Hose Shank	5" Rubber Hose



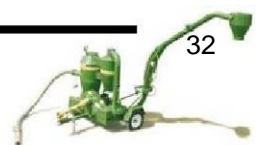
PART #	DESCRIPTION	USED ON
38-13998-6	KM3 W/Hose Shank	3" Rubber Hose
38-14000-6	KM4 W/Hose Shank	4" Rubber Hose



PART #	DESCRIPTION	USED ON
38-13205-6	KC3 Dust Cap	KM3
38-01649-6	KC4 Dust Cap	KM4
38-08931-6	KC5 Dust Cap	KM5
38-13146-6	KC6 Dust Cap	KM6



PART #	DESCRIPTION	USED ON
38-08994-6	Replacement Arm And Ring	3",4",5" couplings
38-19155-6	Replacement Arm And Ring	6",7",8" couplings
38-76973-6	Replacement Arm And Ring	2" coupling



3.11 DELIVERY LINES & ACCESSORIES

Camlock Couplers Plugs, Gaskets



PART #	DESCRIPTION	USED ON
38-13204-6	KP3 Dust Plug	KF3
38-00577-6	KP4 Dust Plug	KF4
38-08805-6	KP5 Dust Plug	KF5
38-15001-6	KP6 Dust Plug	KF6



PART #	DESCRIPTION	USED ON
38-29803-4	KM4 Hose	4" Metalflex
38-27887-4	KM5 Hose	5" Metalflex
38-27586-4	KM6 Hose	6" Metalflex

38-29652-4	KM4 Tube	4" Tube
38-27885-4	KM5 Tube	5" Tube
38-27584-4	KM6 Tube	6" Tube

38-18152-6	KM3 Weldable	3" Alum Tube
38-15916-6	KM4 Weldable	4" Alum Tube
38-15918-6	KM5 Weldable	5" Alum Tube
38-15920-6	KM6 Weldable	6" Alum Tube
38-63928-4	KM8 Weldable	8" Alum Tube



PART #	DESCRIPTION	USED ON
38-13206-6	KM3 with NPT	3" Threaded Pipe
38-00575-6	KM4 with NPT	4" Threaded Pipe
38-08803-6	KM5 with NPT	5" Threaded Pipe
38-08533-6	KM6 with NPT	6" Threaded Pipe



PART #	DESCRIPTION	USED ON
38-13544-6	Rubber Gasket KF3	KF3 Coupling
38-05850-6	Rubber Gasket KF4	KF4 Coupling
38-13545-6	Rubber Gasket KF5	KF5 Coupling
38-08650-6	Rubber Gasket KF6	KF6 Coupling
38-78124-6	Rubber Gasket KF8	KF8 Coupling



3.12 DELIVERY LINES & ACCESSORIES

Miscellaneous Couplers, Spraymotor, Wade

SPRAMOTOR COUPLERS



PART #	DESCRIPTION	USED ON
38-07232-5	SM-4	4" Bin Tube



PART #	DESCRIPTION	USED ON
38-07233-5	SF-4	4" Bin Tube



PART #	DESCRIPTION	USED ON
38-20033-4	Tube with Flange, 4" Dia x 8"Lg	4" Spramotor Coupler



PART #	DESCRIPTION	USED ON
38-20034-4	Spramotor Clip 1/4" x 1.25Lg	Spramotor Coupling

WADE COUPLERS



PART #	DESCRIPTION	USED ON
38-01578-6	WM-4	4 " Bin Tube
38-08841-6	WM-6	6 " Bin Tube



PART #	DESCRIPTION	USED ON
38-01577-4	WF-4	4"
38-18332-4	WF-5	5"
38-18331-4	WF-6	6"



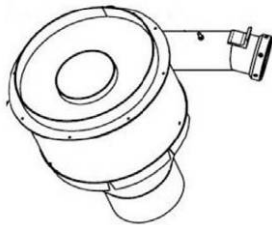
3.13 DELIVERY LINES & ACCESSORIES, Cyclones



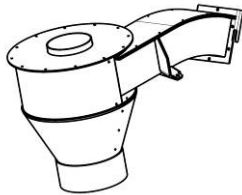
PART #	DESCRIPTION	USED ON
38-26678-5	4" Boom Deflector Assembly	4" Machines
38-29346-5	5" Boom Deflector Assembly	5" Machines
38-29347-5	6" Boom Deflector Assembly	6" Machines



PART #	DESCRIPTION	USED ON
38-27154-5	19" Plastic Cyclone 22.5° - 4" Inlet	4" Machines
38-27697-5	19" Plastic 22.5° - 5 " Inlet	5" Machines
38-27696-5	19" Plastic Cyclone Straight 5" Inlet	5" Machines



PART #	DESCRIPTION	USED ON
38-03644-5	Cyclone with Liner	Old Style 5" Vacs
38-09521-5	Cyclone with Liner	Old Style 6" Vacs
38-28203-5	Cyclone with Liner	Old Style 7" Vacs

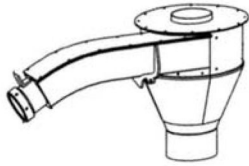


PART #	DESCRIPTION	USED ON
11-78508-5	Boom End Cyclone with Full Liner	5" Machines Post 2011
11-69354-5	Boom End Cyclone with Full Liner	6" Machines Post 2011
11-75298-5	Boom End Cyclone with Full Liner	7" Machines Post 2011

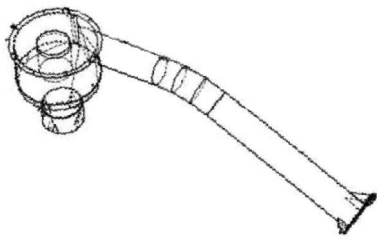
11-77548-5	Boom End Cyclone with Liner	5" Machines Post 2011
11-75482-5	Boom End Cyclone with Liner	6" Machines Post 2011



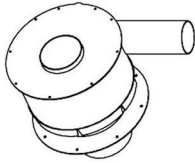
3.13 DELIVERY LINES & ACCESSORIES, Cyclones Continued



PART #	DESCRIPTION	USED ON
11-40958-5	Cyclone with Liner	5614, 5614 DLX Pre 2011
11-39922-5	Cyclone with Liner	6614, 6614DLX Pre 2011
11-40006-5	Cyclone with Liner	7614, 7614DLX Pre 2011



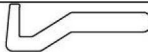
PART #	DESCRIPTION	USED ON
11-36053-5	Boom End Assembly	5614 STD Pre-2011
11-36255-5	Boom End Assembly	6614 STD Pre-2011
11-36465-5	Boom End Assembly	7614 STD Pre-2011
11-78834-5	Boom End Assembly	5614 c/w PC Post 2011
11-76561-5	Boom End Assembly	6614 c/w PC Post 2011
11-77744-5	Boom End Assembly	7614 c/w PC Post 2011



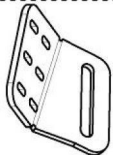
PART #	DESCRIPTION	USED ON
38-45315-5	Bin Cyclone 4" Plastic	4" Bin Piping
38-07615-5	Bin Cyclone 5" x 19"	5" Bin Piping
38-20006-5	Bin Cyclone 6" x 19"	6" Bin Piping



PART #	DESCRIPTION	USED ON
38-27153-5	Weatherproof Cyclone 4" Inlet Straight Steel	4" Bin Piping
38-09914-5	Weatherproof Cyclone 5" X 19" Straight Steel	5" Bin Piping
38-20007-5	Weatherproof Cyclone 6" X 19" Straight Steel	6" Bin Piping



11-36635-5	Boom Cyclone Lock, Universal
------------	------------------------------



11-47403-4	Boom Cyclone Latch
------------	--------------------



4.0 TUBING, BIN NOZZLES



PART #	DESCRIPTION	USED ON
36-28885-5	410 Alum. Delivery Tube WDC	4" Machines
36-38181-5	415 Alum. Delivery Tube WDC	4" Machines
36-27133-5	420 Alum. Delivery Tube WDC	4" Machines
36-28789-5	510 Alum. Delivery Tube WDC	5" Machines
36-38182-5	515 Alum. Delivery Tube WDC	5" Machines
36-27134-5	520 Alum. Delivery Tube WDC	5" Machines
36-28788-5	610 Alum. Delivery Tube WDC	6" Machines
36-37806-5	615 Alum. Delivery Tube WDC	6" Machines
36-27135-5	620 Alum. Delivery Tube WDC	6" Machines
36-29254-5	710 Alum. Delivery Tube WDC	7" Machines
36-78285-5	715 Alum. Delivery Tube WDC	7" Machines
36-29255-5	720 Alum. Delivery Tube WDC	7" Machines

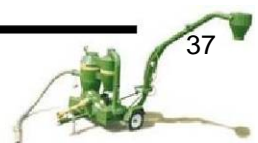
36-75579-5	820 Alum. Delivery Tube WKC	8" Machines
------------	-----------------------------	-------------



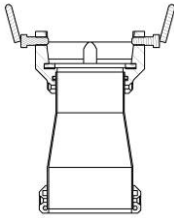
PART #	DESCRIPTION	USED ON
89-17452-1	4"X .065 Wall Galvatube 20'	4" Machines
89-00392-2	4"X .072 Wall Alum Tube 20'	4" Machines
89-00299-1	4"X .065 Wall Steel Tube 20'	4" Machines
89-08382-1	5"X .060 Wall Steel Tube 20'	5" Machines
89-08073-2	5"X .078 Wall Alum Tube 20'	5" Machines
89-16222-2	6"X .083 Wall Alum Tube 20'	6" Machines
89-08012-1	6"X .105 Wall Steel Tube 24'	6" Machines
89-08897-2	7"X .065 Wall Alum Tube 20'	7" Machines
89-08901-2	8"X .120 Wall Alum Tube 20'	8" Machines



PART #	DESCRIPTION	USED ON
38-29034-5	Bin Nozzle 4" X 15'	4" Machines
38-28629-5	Bin Nozzle 4" X 20'	4" Machines
38-29033-5	Bin Nozzle 5"X 15'	5" Machines
38-27700-5	Bin Nozzle 5" X 20'	5" Machines
38-29032-5	Bin Nozzle 6" X 15'	6" Machines
38-27701-5	Bin Nozzle 6" X 20'	6" Machines
38-37452-5	Bin Nozzle 6" X 25'	6" Machines
38-29985-5	Bin Nozzle 6" X 30'	6" Machines
38-75947-5	Bin Nozzle 7" X 15'	7" Machines
38-38575-5	Bin Nozzle 7" X 20'	7" Machines



5.0 ADAPTORS, REDUCERS



PART #	DESCRIPTION	USED ON
38-03733-5	Adapter DM5 TO DF4	5" Machines
38-07823-5	Adapter DM6 TO DF5	6" Machines



PART #	DESCRIPTION	USED ON
38-20011-5	Adapter DM5 to DF4, 9" Taper	5" Machines
38-27480-5	Adapter DM6 to DF5, 9" Taper	6" Machines
38-28277-5	Adapter DM7 to DF6	7" Machines
11-83398-5	Adapter KM8 to DF7	8" Machines



PART #	DESCRIPTION	USED ON
38-07446-5	Bin Chute Adapter 5"	5" Bin Piping
38-07990-5	Bin Chute Adapter 6"	6" Bin Piping



PART #	DESCRIPTION	USED ON
38-38433-5	4" – 3" Reducer	4 " Machines
38-38434-5	5" – 4" Reducer	5 " Machines
38-38437-5	6" – 4" Reducer	6 " Machines
38-38435-5	6" – 5" Reducer	6 " Machines
38-38436-5	7" – 6" Reducer	7 " Machines



PART #	DESCRIPTION	USED ON
38-27238-5	Adapter DM4 to 3"	4 " Machines
38-26472-5	Adapter DM5 to 3"	5 " Machines
38-27236-5	Adapter DM6 to 3"	6 " Machines



PART #	DESCRIPTION	USED ON
38-09647-5	Adapter - DM5 to 4"	4" Rubber
38-09812-5	Adapter - DM6 to 5"	5" Rubber



6.0 HYDRAULICS

6.1 Control Valves



PART #	DESCRIPTION	USED ON
59-82348-6	Flow Control Valve	All Machines
59-19568-6	Seal Kit	



59-16418-6	Lever Hardware Kit for Flow Control	
------------	-------------------------------------	--



PART #	DESCRIPTION	USED ON
59-28001-5	Single Bank	All Standard Machines
59-16571-6	Seal Kit	



PART #	DESCRIPTION	USED ON
59-28593-5	Dual Bank	Self-Contained Hydraulics Without Hydraulic Boom Rotation
59-16572-6	Seal Kit	



PART #	DESCRIPTION	USED ON
59-36585-5	Triple Bank (Self Contained Hydraulics)	Self-Contained Hydraulics With Hydraulic Boom Rotation
59-17645-6	Triple Bank (Self Contained Hydraulics)	Post 2006 Self-Contained Hydraulics With Hydraulic Boom Rotation

6.2 HYDRAULICS, Boom Jacks, Ball Valve



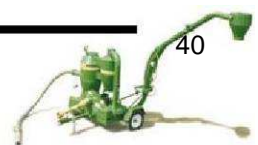
PART #	DESCRIPTION	USED ON
11-09645-5	Hydraulic Boom Jack	506, 508, 510
59-13333-6	Seal Kit	



PART #	DESCRIPTION	USED ON
11-15498-6	Hydraulic Boom Cylinder 2" X 8"	614,614F
11-16106-6	Seal Kit	
11-17572-6	Hydraulic Boom Cylinder 2" X 8"	5614,6614,7614
11-40009-4	Hydraulic Boom Cylinder Painted 2" X 8"	5614,6614,7614
11-18476-6	Seal Kit	



PART #	DESCRIPTION	USED ON
59-13467-6	1/4" NPT Ball Valve	Boom Lock
59-13640-6	3/4" NPT Ball Valve	Open/Close Hydraulics



6.3 HYDRAULICS, Filters



PART #	DESCRIPTION	USED ON
61-05666-6	Filter Element & Seal	All Units Built Before 1991



PART #	DESCRIPTION	USED ON
61-17062-6	Filter Element 3.5" Diameter	SCH Machine Serial greater than 6500
61-16846-6	Filter Element 5" Diameter	SCH Machine Serial less than 6499



PART #	DESCRIPTION	USED ON
61-16856-6	Filter Assembly 3.5" Diameter	SCH Machine Serial greater than 6500
61-17009-6	Filter Assembly 5" Diameter Complete With Gauge	SCH Machine Serial less than 6499



PART #	DESCRIPTION	USED ON
61-74993-6	Filter Top	Machine Serial greater than 12250



PART #	DESCRIPTION	USED ON
61-74992-6	Filter Canister	Machine Serial greater than 12250

7.0 DRIVE LINE COMPONENTS

7.1 PTO Shafts



PART #	DESCRIPTION	USED ON
45-14922-6	1.375", 6 Spline x 1.375", 6 Spline	3510 3PH
45-61423-6	1.375", 21 Spline x 1.375", 6 Spline	5510, 5614
45-16256-6	1.375", 6 Spline x 1.375", 6 Spline	5614 Euro
45-18871-6	1.375", 6 Spline x 1.75", 21 Spline	5614, 540 PTO
45-61428-6	1.375", 21 Spline x 1.75", 6 Spline	6614, 7614
45-19818-6	1.750", 20 Spline x 1.750", 6 Spline	7614, 8614 >200 HP



PART #	DESCRIPTION	USED ON
45-62687-6	35E Cross & Bearing Kit	3510 TPH, 4510,5510
45-62686-6	55E Cross & Bearing Kit	5614 540 PTO, 614,6614,7614



PART #	DESCRIPTION	USED ON
45-61422-6	PTO Shield Guard Set	Weasler PTO's
45-15749-6	Plastic Shield, T-80 PTO	Eurogenti PTO's

PART #	DESCRIPTION	USED ON
45-72171-6	35E Lock Ring	3510 TPH, 4510,5510
45-72172-6	55E Lock Ring	5614 540 PTO, 614,6614,7614

PART #	DESCRIPTION	USED ON
45-62688-6	35E Yoke, 1.375" 6 Spline	3510 TPH
45-62689-6	35E Yoke, 1.375" 6 Spline Shear Type	3510 TPH, 4510,5510
45-62690-6	35E Yoke, 1.375" 21 Spline	5614
45-62691-6	55E Yoke, 1.375" 6 Spline	5614 540 PTO
45-62692-6	55E Yoke, 1.750" 6 Spline Shear Type	SPECIAL
45-62693-6	55E Yoke, 1.375" 21 Spline	6614,7614
45-62694-6	55E Yoke, 1.750" 20 Spline	SPECIAL



7.2 DRIVE LINE COMPONENTS

Accessories for old style Eurogenti

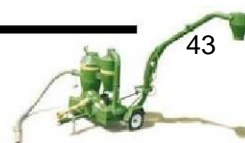


PART #	DESCRIPTION	USED ON
45-17981-6	EG 40 Yoke 1-3/8" X 6 Spline (Both Ends)	310 3PH, 410, 4510
45-13689-6	EG 50 Yoke 1-3/8" X 6 Spline (Machine End)	510, 610, 5510,5614
45-18390-6	EG 80 Yoke 1-3/4" X 6 Spline (Machine End)	614,714,6614,7614
45-15837-6	EG 50 Yoke 1-3/8" X 21 Spline (Tractor End)	510, 610,5510,5614
45-15838-6	EG 80 Yoke 1-3/8" X 21 Spline (Tractor End)	614,714,6614,7614
45-15826-6	EG 80 PTO Yoke 1-3/4" X 20 Spline (Tractor End)	Some 614,714, 6614,7614
45-18389-6	T80 Yoke,1-3/8",6 Spline, With Shear On Machine End	5614-540 PTO
45-18390-6	T80 Yoke,1-3/4", 6 Spline W/Shear	614,714, 5614-540 PTO, 6614,7614
45-18391-6	T90 Yoke,1-3/8" 6 Spline, With Shear On Tractor End	6614-540 PTO



PART #	DESCRIPTION	USED ON
45-16774-6	EG 40 Guard Retaining Collar For Inner Tube	3510 3PH,410,4510
45-15642-6	EG 50 Guard Retaining Collar For Inner Tube	510,5510,5614
45-17004-6	EG80 Guard Retaining Collar For Inner Tube 2-1/2"	614,714, 5614-540 PTO, 6614, 7614
45-16519-6	EG 80 Guard Retaining Collar For Inner Tube 3"	614, 714, 6614,7614
45-16775-6	EG -40 Guard Retaining Collar For Outer Tube	3510 3PH,410, 4510
45-15641-6	EG-50 Guard Retaining Collar For Outer Tube	510 5510,5614
45-17005-6	EG 80 Guard Retainnig Collar For Outer Tube 2-3/4"	614,714, 5614-540 PTO, 6614,7614
45-16520-6	EG 80 Guard Retaining Collar For Outer Tube 3- 1/4"	614,714, 5614-540 PTO, 6614,7614

PART #	DESCRIPTION	USED ON
45-15643-6	EG Plastic Connecting Bolts	All EG PTO'S



7.3 DRIVE LINE COMPONENTS, Sheaves



PART #	DESCRIPTION	USED ON
11-16815-6	Sheave 18.4 X 3B X SK (Midship Shaft)	310/3PH-540
11-18306-6	Sheave 16.0 X 3-5V X E	3510 TPH
11-03615-6	Sheave 18.4 X 5-B X SF	510,5510,610, 5614,5614 SCH
11-08952-6	Sheave 20.0 X 3-B X SF	410,508, 4510, 4510 SCH
11-16720-6	Sheave 21.0 X 5-5V X F	614, 714, 5614, 5614 540 PTO 5614 SCH, 6614, 7614, 7614SCH



PART #	DESCRIPTION	USED ON
11-16805-6	3.4 X 3b X SH Sheave(Engine)	310G
11-16814-6	3.4 X 3B X SH Sheave(Motor)	310E-1760
11-16813-6	MA120 X 1" Bore Sheave	310E, 310G
11-16812-6	MA15 X 1/2" Bore Sheave	310E, 310G
11-16806-6	6.8 X 3B X SD Sheave (Motor)	310E-1425
11-18008-6	Sheave 7.0 X 3B X SK	3510 E
11-18166-6	Sheave 8.0 X 3BX SK	3510 G
11-18167-6	Sheave 4.0 X 3B X SH	3510 G
11-18307-6	Sheave 4.65 X 3-5V X SDS	3510 TPH
11-16717-6	9.4 X 3-B X SK	3510 30G
11-17866-6	4.6 X 3-B X SD (Engine)	3510 30G
11-18378-6	6.8 X 2-B X SDS (Motor)	3510 20E
11-19939-6	6.6 X 2-B X SDS	3510 20E
11-13111-6	Sheave 4.4 X 3-B X SH	4506G,4510, 4510 SCH
11-13111-6	Sheave 4.4 X 3-B X SH	4506G,4510, 4510 SCH
11-08957-6	5.4 X 5B X SK Sheave	510, 5510
11-08887-6	Sheave 8.6 X 5-B X SF	5614, 5614 SCH
11-17603-6	5.5 X 5-5V X SD	5614, 540 PTO
11-16434-6	5.0 X 5B X SD Sheave	610
11-15579-6	7.5 X 5-5V X SF Sheave	614, 6614, 6614 SCH
11-16714-6	7.1 X 5-5V X SF Sheave	714, 7614, 7614 SCH



7.4 DRIVE LINE COMPONENTS, Bushings , Bearings



PART #	DESCRIPTION	USED ON
11-17969-6	SD X 1 -1/8" X 1/4" KW (Engine)	Post 2011 3510
11-17162-6	Bushing SD X 2" X 1/2" KW	Post 2011 3510G
11-18193-6	Bushing SD X 1-5/8"	Post 2011 3510E
11-82538-6	Bushing SDS X 2" (Blower)	Post 2011 3510 TPH
11-17602-6	Bushing Fx 1 3/4" X 3/8" KW	Post 2011 6614,7614
11-77438-6	Bushing Fx 1 1/2" X 3/8" KW	Post 2011 6614,7614



PART #	DESCRIPTION	USED ON
96-03623-6	1-3/4" Pillow Block Bearing	Post 2011 3510,5614, 6614,7614
96-13270-6	2" Pillow Block Bearing	Pre 2011 6614,7614 Post 2011 5614 -540 PTO



PART #	DESCRIPTION	USED ON
96-13553-6	1-3/8" 2-Bolt Flange Bearing	410,508,510, 610,4510,5510



PART #	DESCRIPTION	USED ON
96-08520-6	1-9/16" 4-Bolt Flange Bearing	Post 2011 5614
96-04567-6	1 1/2" 4-Bolt Flange Bearing	Post 2011 6614,7614
96-08760-6	1-3/8" 4-Bolt Flange Bearing	510

PART #	DESCRIPTION	USED ON
11-70231-6	Double Center Cardan U-Joint	Post 2011 6614,7614



7.5 DRIVE LINE COMPONENTS, Belts

PART #	DESCRIPTION	USED ON
11-14961-6	B x 52	Pre 2011 3510E
11-18168-6	B X 50	Pre 2011 3510E,G,TPH
11-13182-6	5V X 900	Pre 2011 3510 TPH
11-03619-6	B X 88	5510

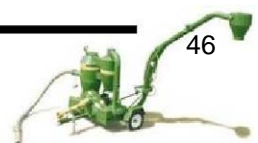


11-80135-6	B X 67	
11-68157-6	B X 100	Post 2011 3510G, 3510TPH
11-19342-6	B X 74	Post 2011 3510G
11-13033-6	B X 82	Post 2011 3510TPH
11-17906-6	B X 75	Post 2011 3510E

11-18056-6	B X 90	Post 2011 5614
11-81166-6	5V X 930	Post 2011 5614 (540 PTO)
11-08550-6	5V x 950	614,714, 5614 (540 PTO), 6614,7614
11-14047-6	5V x 1000	8614 Twin ,7816



PART #	DESCRIPTION	USED ON
11-19941-6	4R5VX850	8614
11-19943-6	4R5VX950	8614



8.0 CLAMPS



PART #	DESCRIPTION
28-14596-6	Lap 3.5 Alum Clamp
28-04701-6	Lap Joint T 4" Alum
28-14704-6	Lap Joint 4" SS
28-08390-6	Lap Joint 5" SS
28-14653-6	Lap Joint 6" SS



PART #	DESCRIPTION
28-16160-6	Butt Joint 2" Alum
28-08134-6	Butt Joint 2 1/2 Alum
28-16161-6	Butt Joint 3" Alum
28-16413-6	Butt Joint 3 1/2" Alum
28-03958-6	Butt Joint 4" Alum
28-08094-6	Butt Joint 5" Alum
28-08896-6	Butt Joint 6" Alum
28-07291-6	Butt Joint 5" SS



PART #	DESCRIPTION
28-04668-6	Gear Clamp 5/8"
28-04671-6	Gear 3/4"
28-00579-6	Gear 3/4" to 1 3/4" HS 20
28-04667-6	Gear 7/8"
28-00580-6	Gear 1-1/16" to 2"
28-00586-6	Gear 1-5/16" to 2"
28-00292-6	Gear 1-13/16" HS 36
28-00362-6	Gear 2-13/16" HS 52
28-00587-6	Gear 3-9/16" to 4-1/2 HS 64
28-08245-6	Gear 4-1/16" to 5" HS72
28-14644-6	Gear 4-1/16" to 6"
28-15754-6	Gear 5" to 7"



8.0 CLAMPS Cont'd



PART #	DESCRIPTION
28-03823-6	T-Bolt Clamp 4"
28-16801-6	T-Bolt Clamp 4.75"
28-08794-6	T- Bolt Clamp 5"
28-08918-6	T- Bolt Clamp 6"
28-17193-6	T- Bolt Clamp 6.25"
28-17644-6	T- Bolt Clamp 7 5/8"
28-16829-6	T- Bolt Clamp 8.5"



PART #	DESCRIPTION
28-18256-6	Plastic Knob For T-Bolt Clamps



PART #	DESCRIPTION
28-04673-6	U- 3" Saddle Clamp
28-04674-6	U- 3.5" Saddle Clamp
28-02074-6	U- 4" Saddle Clamp
28-04675-6	U- 5" Saddle Clamp
28-08698-6	U- 6" Saddle Clamp



PART #	DESCRIPTION
28-14484-6	Cable Clamp 3/16"
28-14483-6	Cable Clamp 5/16"
28-14229-6	Cable Clamp 3/8"
28-13865-6	Cable Clamp 1/2"



9.0 MISCELLANEOUS PARTS, ACCESSORIES



PART #	DESCRIPTION
07-08640-6	Paint,Green (Aerosol Can)



PART #	DESCRIPTION	USED ON
98-13813-5	Walinga Super Duty Blower Oil , 4 Litre Jug	All Blowers



PART #	DESCRIPTION
98-17473-6	Lubricant 5/8 Oz Tube



PART #	DESCRIPTION
98-13491-6	Aerosol Anti-Seize 16 oz Torque Master



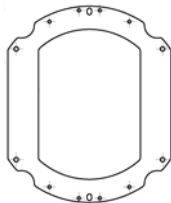
PART #	DESCRIPTION
80-01257-6	9" Tarp Straps
80-01258-6	15" Tarp Straps
80-01259-6	21" Tarp Straps
80-81861-6	31" Tarp Straps



PART #	DESCRIPTION	USED ON
11-82219-6	8" Rubber Hump Hose	6614,7614,8614



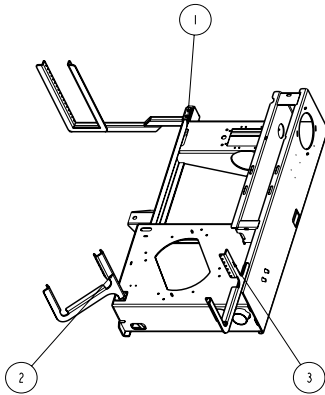
PART #	DESCRIPTION	USED ON
11-82616	Hour Meter	All 1000RPM Units With SCH



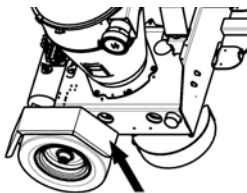
PART #	DESCRIPTION	USED ON
11-37790-6	Receiver Gasket	5614,6614,7614 Post 2011



9.0 MISCELLANEOUS PARTS, ACCESSORIES Cont'd



PART #	DESCRIPTION	USED ON
38-73678-5	1 Hose Holder Rear	Post 2011 PTO units
39-73887-5	2 Hose Holder Middle	Post 2011 PTO units
38-73888-5	3 Hose Holder Front	Post 2011 PTO units
38-37233-5	1 Hose Holder Rear	All PTO Units
38-37236-5	2 Hose Holder Middle	All PTO Units
38-37235-4	3 Hose Holder Front	All PTO Units



Bolt-on Fender

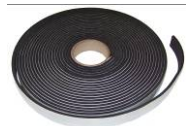
PART #	DESCRIPTION	USED ON
11-59650-4	Bolt-on Fender	All PTO Units



PART #	DESCRIPTION	USED ON
11-04026-4	Holder for DM4	3510,4510,5614
11-09191-4	Holder for DM5	5614,6614
11-09219-4	Holder for DM6	6614, 7614,8614
11-28489-4	Holder for DM7	7614,8614



PART #	DESCRIPTION	USED ON
11-24000-4	Pre-cleaner Lid	All Units With Pre-cleaners



PART #	DESCRIPTION	USED ON
80-03510-6	Sponge Rubber Seal for Pre-cleaner Lid ¼ x 1-1/4"	5614,6614,7614

PART #	DESCRIPTION	USED ON
11-03729-6	View Window, Plastic	5614,6614,7614



9.0 MISCELLANEOUS PARTS, ACCESSORIES Cont'd



PART #	DESCRIPTION
32-08609-6	Feeler Gauge .002
32-08611-6	Feeler Gauge .003
32-08612-6	Feeler Gauge .004
32-08613-6	Feeler Gauge .005
32-08614-6	Feeler Gauge .006
32-08615-6	Feeler Gauge .007
32-08199-6	Feeler Gauge .008
32-08616-6	Feeler Gauge .009
32-08617-6	Feeler Gauge .010
32-08618-6	Feeler Gauge .011
32-08200-6	Feeler Gauge .012
32-06539-6	Feeler Gauge .013
32-06540-6	Feeler Gauge .014
32-06541-6	Feeler Gauge .015
32-06542-6	Feeler Gauge .016



PART #	DESCRIPTION	USED ON
28-16570-6	13" Pneumatic Wheel	4506,3510
28-18643-6	13" Pneumatic Wheel * From 2000-2010 -one wheel required/unit at front swivel After 2010 - two required/unit at rear	3510*
11-59370-6	16.3" Pneumatic Wheel *After 2010 one wheel required at front swivel	3510*



PART #	DESCRIPTION	USED ON
28-05671-5	Lynchpin With Cable	



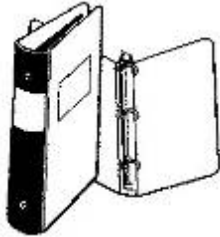
PART #	DESCRIPTION	USED ON
11-03632-6	Tongue Jack	4,5,6,7," Units



9.0 MISCELLANEOUS PARTS, ACCESSORIES Cont'd



PART #	DESCRIPTION	USED ON
32-08977-6	T-40 Driver	All Airlock Blade Bolts
32-04921-6	R-3 Driver Robertson	All Coupling Bolts



Operator's Manuals

PART #	DESCRIPTION	USED ON
34-18319-6	Agri-Vac 3510	3510 Agri-Vac
34-18148-6	Agri-Vac	5614, 6614 & 7614
34-71999-6	Ultra-Vac	Self-Contained Diesels 6614D & 7614D



PART #	DESCRIPTION	USED ON
11-67390-6	Plastic Document Holder	5614,6614,7614



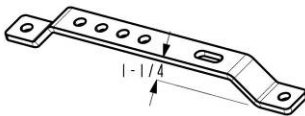
11-18642-6	Cap for Document Holder	
------------	-------------------------	--



PART #	DESCRIPTION	USED ON
38-39510-4	Bin Standoff Bracket	4",5" & 6"



PART #	DESCRIPTION	USED ON
38-09466-4	Bin Bracket Support	



38-07612-4	Bin Clamp Bracket	3",4",5" & 6"
------------	-------------------	---------------



PART #	DESCRIPTION	USED ON
11-39269-5	Eyelet Assembly With Set Screw	Collapsible Boom On 510, 5614, 6614,7614 & All Diesel Units



10.0 TANK LINERS, RHINO*

* All Liners are Rhino unless noted



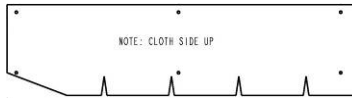
PRE 2004		
PART #	DESCRIPTION	USED ON
11-40761-4	Top, Short Liner	5614
11-40760-4	Top, Long Liner	5614
11-40762-4	Bottom Liner	5614
11-40764-4	Top, Short Liner	6614
11-40763-4	Top, Long Liner	6614
11-40765-4	Bottom Liner	6614
11-40767-4	Top, Short Liner	7614
11-40766-4	Top, Long Liner	7614
11-40768-4	Bottom Liner	7614
PART #	DESCRIPTION	USED ON
11-49010-4	Top Liner	5614 Single Inlet
11-49009-4	Bottom Liner	5614 Single Inlet
11-45171-4	Top Liner	6614 Single Inlet
11-45168-4	Bottom Liner	6614 Single Inlet
11-55913-4	Top, Short Liner	5614 Dual Inlet
11-55914-4	Top, Long Liner	5614 Dual Inlet
11-49009-4	Bottom Liner	5614 Dual Inlet
11-45169-4	Top, Short Liner	6614 Dual Inlet
11-45170-4	Top, Long Liner	6614 Dual Inlet
11-45168-4	Bottom Liner	6614 Dual Inlet
11-48673-4	Top, Short Liner	7614 Dual Inlet
11-48674-4	Top, Long Liner	7614 Dual Inlet
11-46933-4	Bottom Liner	7614 Dual Inlet
11-55912-4	Bottom Liner	5614 FRL
11-48767-4	Bottom Liner	6614 FRL
11-53635-4	Bottom Liner	7614 FRL

POST 2011		
PART #	DESCRIPTION	USED ON
11-55912-4	Frustum Liner	5614 Dual Inlet
11-77565-4	Body Liner (2 pieces)	5614 Dual Inlet
11-65796-4	Frustum Liner	6614 Dual Inlet
11-71128-4	Body Liner (2 pieces)	6614 Dual Inlet
11-75319-4	Frustum Liner	7614 Dual Inlet
11-75338-4	Body Liner (2 pieces)	7614 Dual Inlet
11-77750-4	Frustum Liner	7614 Dual Inlet TDH
11-49009-4	Frustum Liner	5614 Single Inlet
11-49010-4	Body Liner (1 piece)	5614 Single Inlet
11-75490-4	Frustum Liner	6614 Single Inlet
11-75878-4	Body Liner (1 piece)	6614 Single Inlet



11.0 CYCLONE RHINO*, PLASTIC, STEEL LINERS

* All Liners are Rhino unless noted



PART #	DESCRIPTION	CYCLONE USED ON
38-41618-4	20" Cyclone Rear Liner	510, 614, 714 5614 STD, 6614 STD 7614 STD

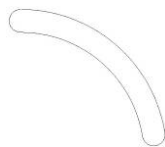


PART #	DESCRIPTION	CYCLONE USED ON
11-39926-4	Top Rear Liner	5614, 6614, 7614
11-39927-4	Bottom Rear Liner	5614, 6614, 7614
11-39928-4	Square Elbow Rear Liner	5614, 6614, 7614

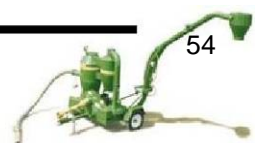
PART #	DESCRIPTION	CYCLONE USED ON
POST 2011		
11-69355-5	Bottom Liner, Full	6614, FRL
11-69356-5	Top Liner, Full	6614, FRL
11-75320-4	Bottom Liner, Full	7614, FRL
11-75321-4	Top Liner, Full	7614, FRL
11-41956-6	Liner	5" Diameter Elbow
11-41621-5	Liner	6" Diameter Elbow
11-41623-5	Liner	6" Diameter Elbow



PART #	DESCRIPTION	CYCLONE USED ON
11-09780-5	*Plastic Wearliner Kit 19" Diameter	614 & 614F
11-28886-5	*Plastic Wearliner Kit	714
11-09447-5	*Plastic Wearliner Kit	510 & 614F



PART #	DESCRIPTION	USED ON
11-38385-4	*Weld-in Steel Liner	510, 614, 714





PARTS & ACCESSORIES CATALOG

CORPORATE HEAD OFFICE:

5656 Highway 6N
Guelph, Ontario, N1H 6J2
Phone (888) 925-4642 Fax (519) 824-5651
www.walinga.com

PARTS SALES:

Ontario and Eastern Canada:

(888) 925-4642
Jack Lodder (ext: 224) email: jel@walinga.com
Parts Department Fax: (519) 824-0367

Manitoba & Western Canada:

70 3rd Ave. N.E. Box 1790 Carman, Manitoba Canada R0G 0J0
Phone: (800) 668-6344 Fax (204) 745-6309
PARTS SALES: Wayne Weidenhammer
(800) 668-6344 email: waw@walinga.com

220 Frontage Rd. Davidson, Saskatchewan Canada S0G 1A0
Tel: (866) 665-3031 Fax: (306) 567-3039

PARTS SALES: Peter Fehr
(866) 665-3031 email: peterfehr@walinga.com

WALINGA USA:

HEAD OFFICE

1190 Electric Ave. Wayland, Michigan, USA 49348
Tel (800) 466-1197 Fax (616) 877-3474

PARTS SALES:

John VanMiddlekoop
(800) 466-1197 (ext 3) email: jvm@walinga.com

579 4th Street NW, Sioux Center, Iowa USA 51250
(800) 845-5589

PARTS SALES:

Mark Franken
(800) 845-5589 email: siouxcenter@walinga.com

PNEUMATIC CONVEYING SYSTEMS PARTS AND ACCESSORIES CATALOG

34-05232-6 v3.13.09 PS/2C